

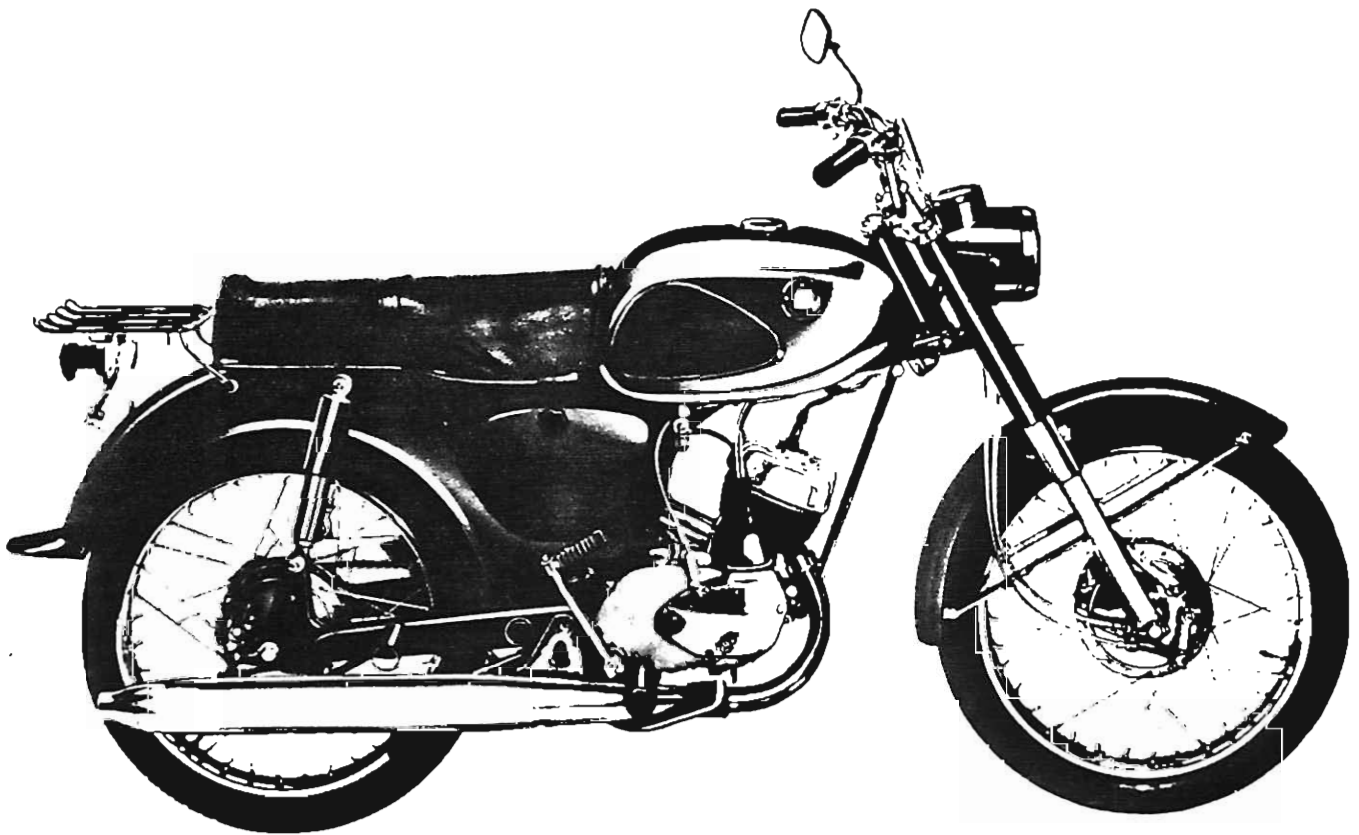
Bridgestonemotorcycleparts.com



# ***BRIDGESTONE***

# **90-100 SERIES**

## **ALL MODELS**



# **PARTS CATALOGUE**

*Rockford Motors inc.*

1911 HARRISON AVENUE • ROCKFORD, ILLINOIS 61101

PREFACE

Instructions for using this parts catalogue

1. This parts catalogue covers all parts and service tools for Bridgestone 90cc and 100cc models including oil injection.
2. Please note the following when ordering parts:
  - A. Be sure to state the part number and description accurately when ordering.
  - B. Always state color or painted parts. The part number will include a suffix for color identification:  
  
(-OB=Black) (-MB=Blue) (-FAR=Red)
  - C. Dimensions of parts are listed in millimeter sizes. (MM)
  - D. L or R in the description indicates that the part is for LEFT or RIGHT side of the cycle.
  - E. Be sure to refer to the model column to obtain the correct part number of a specific part for each model. In some cases a part may be used on all models. In other cases there may be a different part for each model.

ROCKFORD MOTORS, INC.  
ROCKFORD, ILLINOIS

CONTENTSENGINE GROUP

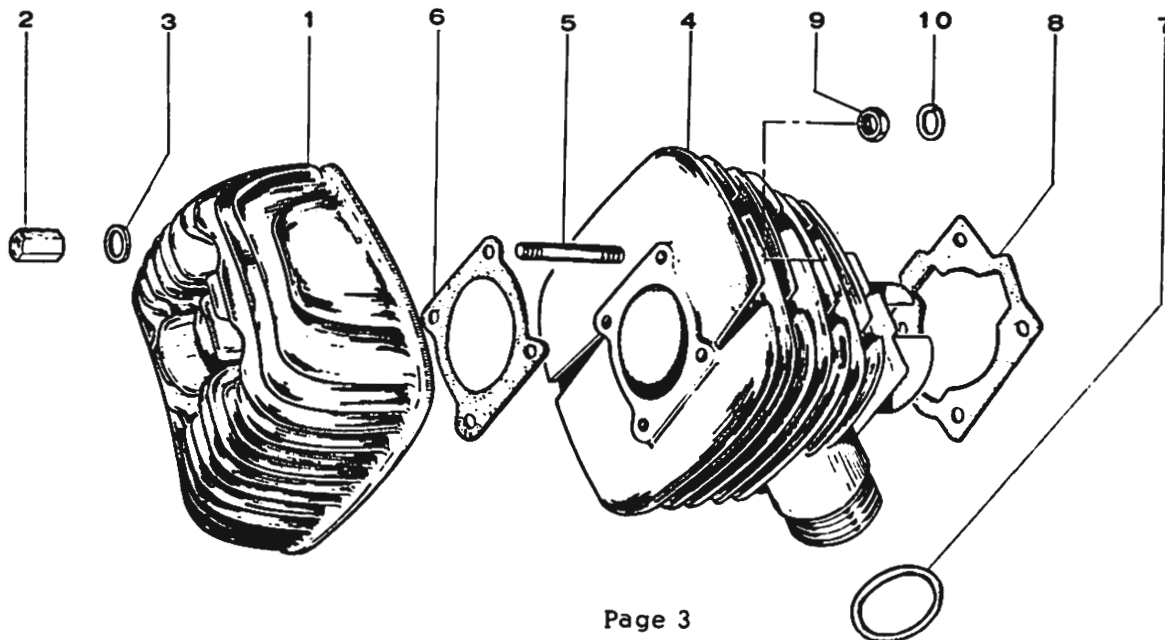
<u>INDEX NO.</u>	<u>DESCRIPTION</u>	<u>PAGE</u>
1.	Cylinder - cylinder head	3
2.	Crankshaft - piston - rotary valve	4-5
3.	Carburetor	6-7-8
4.	Flywheel magneto - ignition coil	9
5.	Crankcase A	10
6.	Crankcase B	11
7.	Transmission case	12-13
8.	Magneto case	14
9.	Oil pump	15
10.	Clutch	16-17
11.	Transmission	18-19
12.	Gear change - shift drum - change pedal	20-21
13.	Kick shaft - kick pedal	22-23

FRAME GROUP

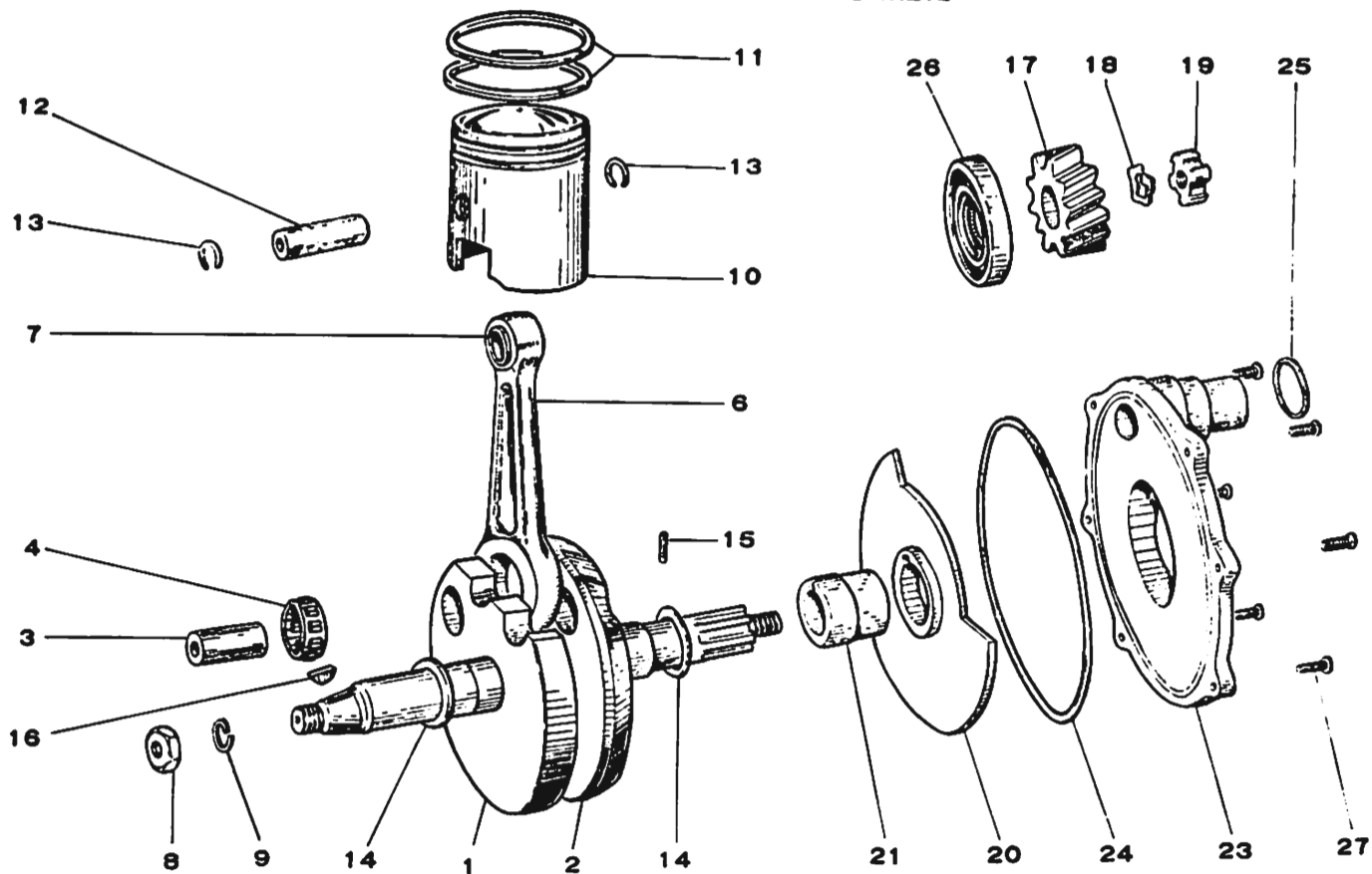
14.	Stamped steel frame	24-25
15.	Pipe frame 100 T	26-27
16.	Telescopic front fork	28-29
17.	Front mudguard	30-31
18.	Rear frame - chain case - suspension	32-33
19.	Fuel tank - fuel cock - oil tank	34-35
20.	Clutch grip	36
21.	Throttle grip	37
22.	Head cover - handle bar	38
23.	Speedometer - cables	39
24.	Brake pedal - stand - footrest - side stand	40-41
25.	Air cleaner	42-43
26.	Muffler - exhaust pipe	44-45
27.	Tandem seat - side covers	46-47
28.	Front wheel	48-49
29.	Rear wheel	50-51
30.	Headlight - main switch - wire harness - battery	52-53
31.	Taillight	54-55
32.	Service tools	56
33.	Special tools	57
	BS/100 Racer Parts	58
	Model Identification Reference	59

1) CYLINDER - CYLINDER HEAD

INDEX NO.	PART NO.	DESCRIPTION	90cc Without Oil Injection				90cc With Oil Injection				100cc O/I	
			90 STD	90 TR	90 M	90 SP	90 D	90 TR	90 M	90 SP	100 SP	100 TR
1-1	1111-5000 (EA1-11111)	Cylinder head	X	X	X	X	X	X	X			
1-2	1111-5400	Cylinder head								X	X	
	1115-5000 (EA1-11112)	Cylinder head nut	X	X	X	X	X	X	X			
1-3	1115-5400	Cylinder head nut								X	X	
	0411-0613 (HW-6)	6MM flat washer	X	X	X	X	X	X	X	X	X	
1-4	1121-5030 (1121-5010) (EA1-11211) (EAE-11211)	Cylinder - cast iron	X	X	X		X	X	X			
	1121-5020 (EA2-11211)	Cylinder - aluminum 90				X			X			
	1121-5400	Cylinder aluminum 100								X	X	
1-5	1126-5000 (EA1-11212)	Cylinder head stud	X	X	X		X	X	X			
	1126-5010 (EA2-11212)	Cylinder head stud				X			X			
1-6	2121-5400	Cylinder mounting stud								X	X	
	1141-5000 (EA1-11411)	Gasket cylinder head	X	X	X		X	X	X			
	1141-5010 (EA2-11411)	Gasket cylinder head				X			X			
1-7	1141-5400	Gasket cylinder head								X	X	
	1142-5000 (EA1-11412)	Exhaust pipe gasket	X	X	X	X	X	X	X			
1-8	1142-5400	Exhaust pipe gasket								X	X	
	1143-5000 (EA1-11413)	Packing cylinder	X	X	X	X	X	X	X			
1-9	1143-5400	Packing - cylinder								X	X	
	0231-0600 (6N-6)	6 M/M hex nut	X	X	X	X	X	X	X			
1-10	0431-0615 (SW-6)	6 M/M spring washer	X	X	X		X	X	X			
	0411-0613 (HW-6)	6 M/M flat washer				X			X			



2) CRANKSHAFT - PISTON - ROTARY VALVE



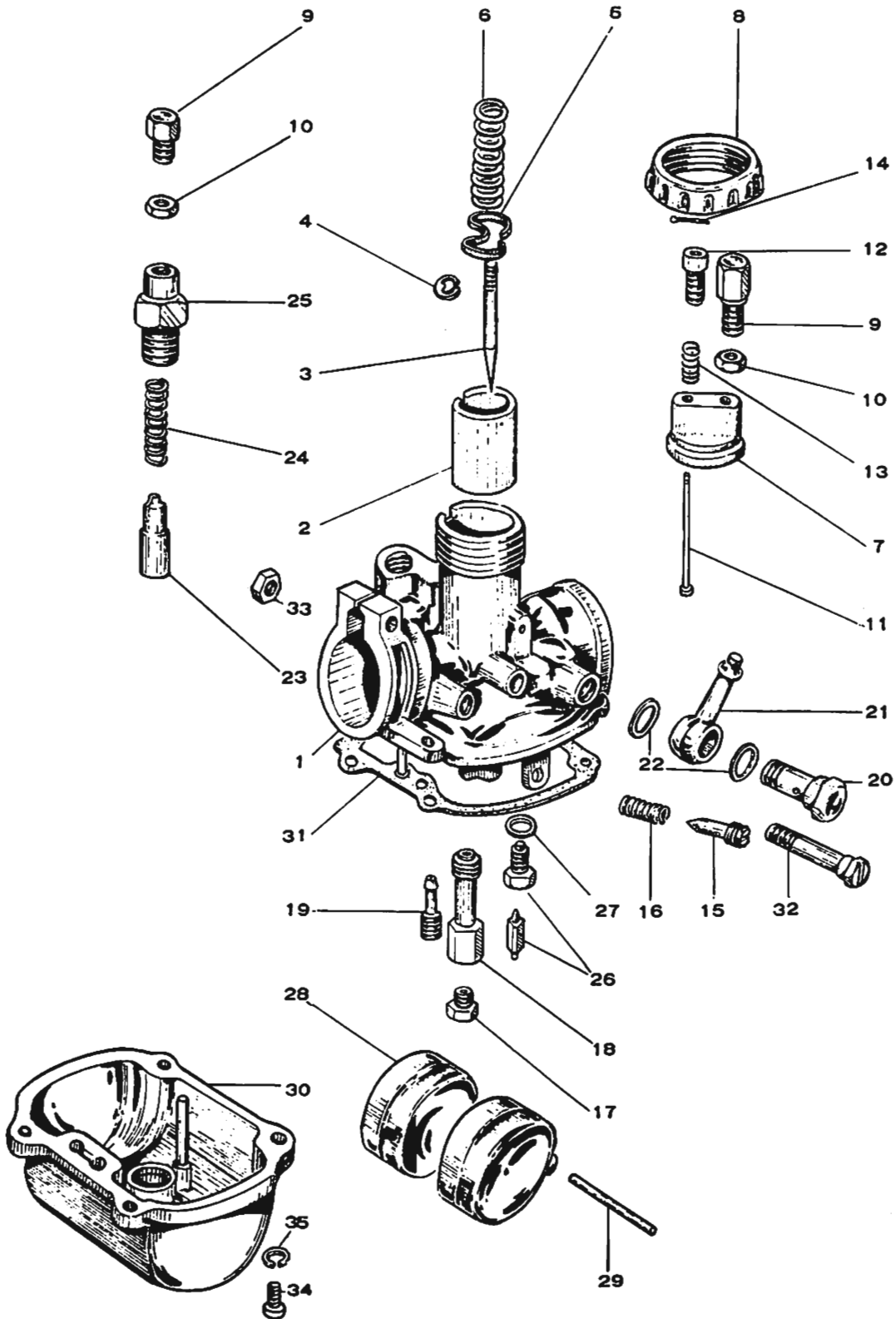
2) CRANKSHAFT - PISTON - ROTARY VALVE

INDEX NO.	PART NO.	DESCRIPTION	90cc Without Oil Injection				90cc With Oil Injection				100cc O/I	
			90 STD	90 TR	90 M	90 SP	90 D	90 TR	90 M	90 SP	100 SP	100 TR
2-0	1301-5000 (EA1-13100)	Crankshaft before 12N Bushings type Use 1301-5010	X	X								
	1301-5010 (EA2-13100)	Crankshaft after 12N Needle type bearing	X	X	X	X	X	X	X	X	X	X
2-1	1311-5000 (EA1-13111)	Crankshaft - left half	X	X								
	1311-5010 (EA2-13111)	Crankshaft - left half	X	X	X	X	X	X	X	X	X	X
2-2	1312-5000 (EA1-13121)	Crankshaft - right half	X	X								
	1312-5010 (EA2-13121)	Crankshaft - right half	X	X	X	X	X	X	X	X	X	X
2-3	1321-5000 (EA1-13151)	Crank pin	X	X	X	X	X	X	X	X	X	X
2-4	1326-5000 (EA1-13152)	Needle retainer	X	X	X	X						
2-5	09063-102 (EA1-13153)	Needle roller	X	X	X	X						
	1325-5010	Needle bearing	X	X	X	X	X	X	X	X	X	X
2-6	1331-5010 (EA1-13210)	Connecting rod Needle bearing type	X	X	X	X	X	X	X	X	X	X
	(EA2-13211)											
2-7	1334-5000 (EA1-13212)	Bushing - connecting Rod before 12N	X	X								
	1333-5010 (EA2-13212)	Bearing connecting Rod aft 12N	X	X	X	X	X	X	X	X	X	X

2) CRANKSHAFT - PISTON - ROTARY VALVE

INDEX NO.	PART NO.	DESCRIPTION	90cc Without Oil Injection				90cc With Oil Injection				100cc O/I	
			90 STD	90 TR	90 M	90 SP	90 D	90 TR	90 M	90 SP	100 SP	100 TR
2-8	09021-103 (EA1-13221)	12 hex nut	X	X	X	X	X	X	X	X	X	X
2-9	0432-1230 (SW-12)	12 spring washer	X	X	X	X	X	X	X	X	X	X
2-10	1341-5000 (EA1-13310)	Piston std	X	X	X		X	X	X			
	1342-5000 (EA1-13310-25)	Piston - 25 M/M O/S	X	X	X		X	X	X			
	1343-5000 (EA1-13310-50)	Piston .50 M/M O/S	X	X	X		X	X	X			
	1341-5010 (EA2-13310)	Piston std				X				X		
	1341-5400	Piston std									X	X
2-11	1305-5000 (EA1-13320)	Piston ring set STD	X	X	X		X	X	X			
	1306-5000 (EA1-13320-25)	Piston ring set .25 O/S	X	X	X		X	X	X			
	1307-5000 (EA1-13320-50)	Piston ring set .50 O/S	X	X	X		X	X	X			
	1305-5010 (EA2-13320)	Piston ring set STD				X				X		
	1305-5400	Piston ring set STD									X	X
2-12	1381-5000 (EA1-13331)	Piston pin	X	X	X	X	X	X	X	X		
	1381-5400	Piston pin									X	X
2-13	1382-5000 (EA1-13332)	Circlip - piston pin	X	X	X	X	X	X	X	X	X	X
2-14	09049-106 (EA1-13411)	20 MM Shim	X	X	X	X	X	X	X	X	X	X
2-15	09062-103 (EA1-13413)	3 x 15 roller bef 12P	X	X	X							
	09063-104 (GB2-13413)	3 x 10 roller aft 12P for splined collar	X	X	X	X	X	X	X	X	X	X
2-16	0671-3013 (EO3314)	3 MM woodruff key	X	X	X	X	X	X	X	X	X	X
2-17	1385-5000 (EA1-13421)	Pinion gear	X	X	X	X	X	X	X	X	X	X
2-18	09046-101 (EA1-13422)	10 MM wave washer	X	X	X	X	X	X	X	X	X	X
2-19	09029-103 (EA1-13423)	10 MM left thread nut	X	X	X	X	X	X	X	X	X	X
2-20	1412-5000 (EA1-14110)	Rotary valve bef 12P	X	X	X							
	1412-5010 (EA2-14112)	Rotary valve (splined)	X	X	X	X	X	X	X	X	X	X
2-21	1451-5000 (EA1-14121)	Collar bef 12P	X	X	X							
	1451-3210 (GB2-14121)	Collar spline type	X	X	X	X	X	X	X	X	X	X
2-22	09066-102 (EA1-14122)	17 MM O ring	X	X	X							
2-23	1431-5000 (EA1-14131)	Rotary valve cover	X	X	X							
	1431-5010 (EA2-14131)	Rotary valve cover				X						
	1430-5010	Rotary valve cover					X	X	X			
	1430-5020	Rotary valve cover								X		
	1430-5400	Rotary valve cover									X	X
2-24	09066-103 (EA1-14132)	100 MM O ring	X	X	X	X	X	X	X	X	X	X
2-25	09066-104 (EA1-14133)	23 MM O ring	X	X	X	X	X	X	X	X	X	X
2-26	09090-108 (EA1-14141)	25-47-8 Oil seal	X	X	X	X	X	X	X	X	X	X
2-27	0311-0620 (PNK-6x20)	6 x 20 Rd head screw	X	X	X	X	X	X	X	X	X	X

### 3) CARBURETOR



3) CARBURETOR

INDEX NO.	PART NO.	DESCRIPTION	90cc Without Oil Injection				90cc With Oil Injection				100cc O/I	
			90 STD	90 TR	90 M	90 SP	90 D	90 TR	90 M	90 SP	100 SP	100 TR
3-0	1600-5000 (EA1-16100)	15 MM carburetor With No. 100 jet	X									
	1600-5030 (EA13-16100)	15 MM carburetor With No. 130 jet	X	X	X		X	X	X			
	1600-5080 (EA2-16100)	17 MM carburetor With No. 110 jet				X				X		
	1600-5400	18 MM carburetor With No. 110 jet									X	X
3-1	1611-5000 (EA1-16111)	15 MM mixing chamber	X	X	X		X	X	X			
	1611-5010 (EA2-16111)	17 MM mixing chamber				X				X		
3-2	1614-5000 (EA1-16121)	Throttle valve	X	X	X		X	X	X			
	1614-5010 (EA2-16121)	Throttle valve				X				X		
	1614-8000	Throttle valve									X	X
3-3	1615-3021 (E28122)	Jet needle	X	X	X		X	X	X			
	1615-5010	Jet needle				X				X	X	X
3-4	1616-3021 (E28123)	Needle clip	X	X	X		X	X	X			
	1616-5010 (EA2-16123)	Needle clip				X				X	X	X
3-5	1617-3021 (E28124)	Spring seat	X	X	X		X	X	X			
	1617-5010 (EA2-16124)	Spring seat				X				X	X	X
3-6	1618-5000 (EA1-16125)	Throttle valve spring	X	X	X		X	X	X			
	1618-5010 (EA2-16125)	Throttle valve spring				X				X	X	X
3-7	1619-5000 (EA1-16126)	Mixing chamber top	X	X	X		X	X	X			
	1619-5010 (EA2-16126)	Mixing chamber top				X				X	X	X
3-8	1621-5000 (EA1-16127)	Mixing chamber cap	X	X	X		X	X	X			
	1621-5010 (EA2-16127)	Mixing chamber cap				X				X	X	X
3-9	1622-5000 (EA1-16128)	Cable adjuster	X	X	X	X	X	X	X	X	X	X
3-10	1623-5000 (EA1-16129)	Lock nut	X	X	X	X	X	X	X	X	X	X
3-11	1626-5000 (EA1-16131)	Throttle stop rod	X	X	X		X	X	X			
	1626-5010 (EA2-16131)	Throttle stop rod				X				X	X	X
3-12	1627-5000 (EA1-16132)	Throttle stop screw	X	X	X		X	X	X			
	1627-5010 (EA2-16132)	Throttle stop screw				X				X	X	X
3-13	1628-5000 (EA1-16133)	Stop screw spring	X	X	X		X	X	X			
	1628-5010 (EA2-16133)	Stop screw spring				X				X	X	X
3-14	0551-1010 (WP-1x10)	1 x 10 cotter pin	X	X	X	X	X	X	X	X	X	X
3-15	1631-5000 (EA1-16135)	Pilot air screw	X									
	1631-3010 (E28134)	Pilot air screw		X	X	X	X	X	X	X	X	X

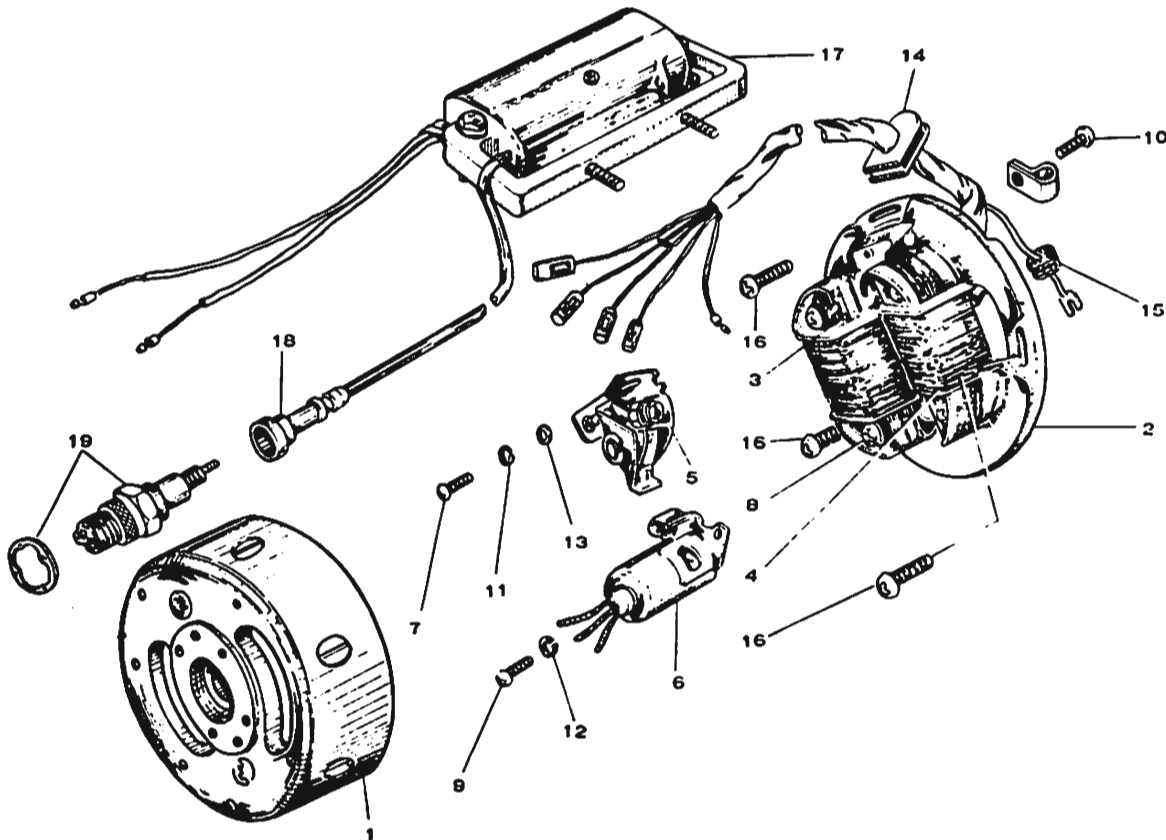


3) CARBURETOR

INDEX NO.	PART NO.	DESCRIPTION	90cc Without Oil Injection				90cc With Oil Injection				100cc O/I	
			90 STD	90 TR	90 M	90 SP	90 D	90 TR	90 M	90 SP	100 SP	100 TR
3-16	1632-3010 (EA1-16136) (E28135)	Air screw spring	X	X	X	X	X	X	X	X		
3-17	1635-5000-100	Main jet No. 100 before 12N	X									
	1635-5000-130	Main jet No. 130 aft 12N		X	X		X	X	X			
3-18	1635-5010-110 1633-3100 (GA1-16145)	Main jet No. 110 Needle jet	X	X	X					X	X	X
	1633-5030	Needle jet					X	X	X			
	1633-5010 (EA2-16142)	Needle jet				X				X	X	X
3-19	1634-3110 (GA1-16146)	Pilot jet	X	X	X		X	X	X			
	1634-5010 (EA2-16143)	Pilot jet				X				X	X	X
3-20	1651-5000 (EA1-16151)	Union bolt	X	X	X	X	X	X	X	X	X	X
3-21	1652-5010 (EA1-16152)	Union connector	X	X	X	X	X	X	X	X	X	X
3-22	1654-3100 (EA1-16153)	Union washer	X	X	X	X	X	X	X	X	X	X
3-23	1645-5000 (EA1-16161)	Starter plunger	X	X	X	X	X	X	X	X	X	X
3-24	1646-5000 (EA1-16162)	Plunger spring	X	X	X	X	X	X	X	X	X	X
3-25	1647-5000 (EA1-16163)	Plunger cap	X	X	X		X	X	X			
	1647-5010 (EA2-16163)	Plunger cap				X				X	X	X
3-26	1660-3100 (GA1-16170)	Float needle valve	X	X	X		X	X	X			
	1660-5000	Float needle valve				X				X	X	X
3-27	1665-3100 (GA1-16173)	Packing needle seat	X	X	X	X	X	X	X	X	X	X
3-28	1666-3100 (GA1-16181)	Float	X	X	X		X	X	X			
	1666-5010	Float				X				X	X	X
3-29	1667-3100 (GA1-16182)	Float pin	X	X	X	X	X	X	X	X	X	X
3-30	1656-5000 (EA1-16183)	Float chamber	X	X	X		X	X	X			
	1656-8000 (EA2-16183)	Float chamber				X						
	1656-5010	Float chamber								X	X	X
3-31	1657-3100 (GA1-16184)	Packing float chamber	X	X	X		X	X	X			
	1657-5010 (EA2-16184)	Packing float chamber				X				X	X	X
3-32	1613-3020 (EA1-16191)	Clamp screw	X	X	X		X	X	X			
	1613-5010 (EA2-16191)	Clamp screw				X				X	X	X
3-33	0221-0500 (6N-5)	5 MM hex nut	X	X	X		X	X	X			
	0211-0600 (6N1-6)	6 MM hex nut				X				X	X	X
3-34	0311-0414	4 x 14 screw	X	X	X	X	X	X	X	X	X	X
3-35	0431-0410	4 MM lock washer	X	X	X	X	X	X	X	X	X	X

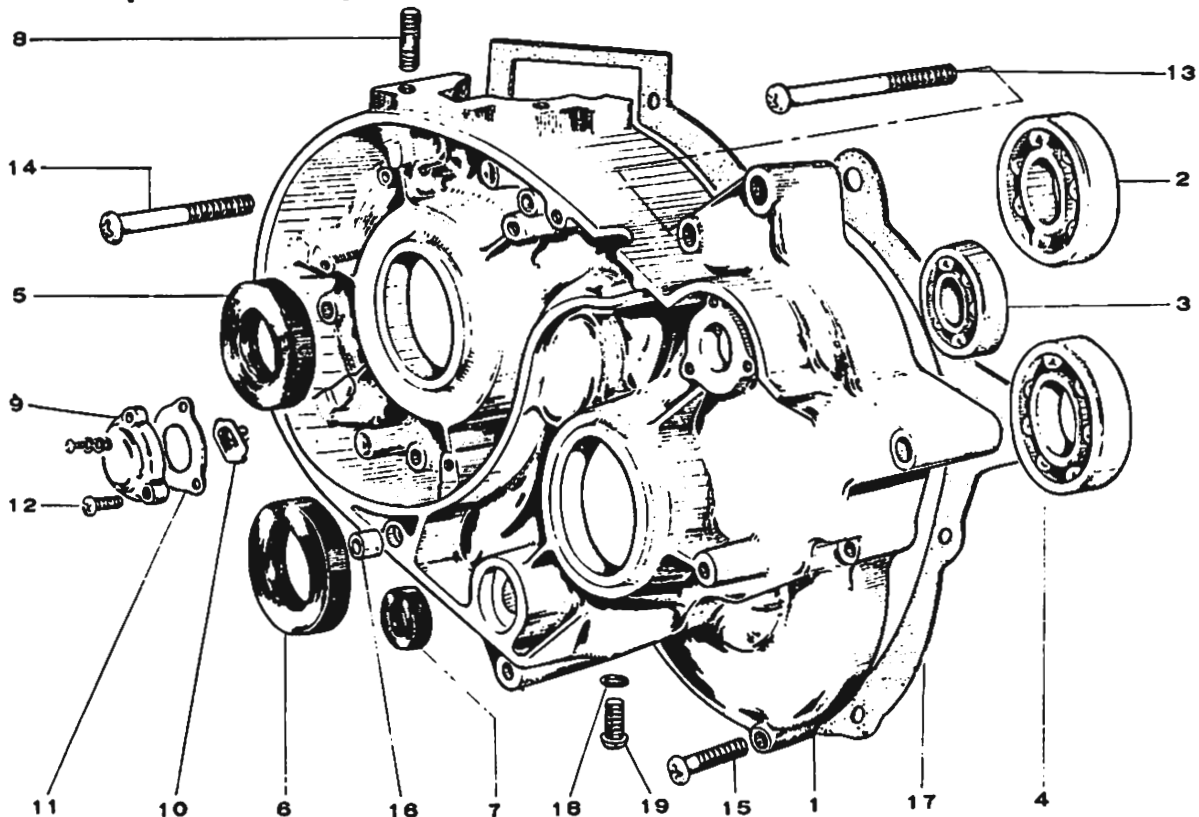
4) FLYWHEEL MAGNETO - IGNITION COIL

INDEX NO.	PART NO.	DESCRIPTION	90cc Without Oil Injection				90cc With Oil Injection				100cc O/I	
			90 STD	90 TR	90 M	90 SP	90 D	90 TR	90 M	90 SP	100 SP	100 TR
4-0	1701-5000 (EA1-17100)	Flywheel magneto	X	X	X	X	X	X	X	X	X	X
4-1	1718-5000 (EA1-17111)	Flywheel	X	X	X	X	X	X	X	X	X	X
4-2	1710-5000 (EA1-17210)	Coil frame	X	X	X	X	X	X	X	X	X	X
4-3	1713-5000 (EA1-17212)	Primary ignition coil	X	X	X	X	X	X	X	X	X	X
4-4	1714-5000 (EA1-17213)	Lighting coil	X	X	X	X	X	X	X	X	X	X
4-5	1752-5000 (EA1-17230)	Contact breaker assy	X	X	X	X	X	X	X	X	X	X
4-6	1753-5000 (EA1-17241)	Condenser	X	X	X	X	X	X	X	X	X	X
4-7	0361-0412	4 x 12 screw	X	X	X	X	X	X	X	X	X	X
4-8	0361-0424	4 x 24 screw	X	X	X	X	X	X	X	X	X	X
4-9	0361-0510	5 x 10 screw	X	X	X	X	X	X	X	X	X	X
4-10	0361-0407	4 x 7 screw	X	X	X	X	X	X	X	X	X	X
4-11	0431-0410	4 MM lock washer	X	X	X	X	X	X	X	X	X	X
4-12	0431-0513	5 MM lock washer	X	X	X	X	X	X	X	X	X	X
4-13	0411-0410	4 MM flat washer	X	X	X	X	X	X	X	X	X	X
4-14	1755-5000 (EA1-17251)	Wire grommet	X	X	X	X	X	X	X	X	X	X
4-15	1764-5000 (EA1-17252)	Neutral switch grommet	X	X	X	X	X	X	X	X	X	X
4-16	0311-0512	5 x 12 screw	X	X	X	X	X	X	X	X	X	X
4-17	8501-5001 (EA1-89310)	Ignition coil	X	X	X	X	X	X	X	X	X	X
4-18	8520-5000 (EA1-89320)	Plug cap	X	X	X	X	X	X	X	X	X	X
4-19	B-7H B-7HZ B-8H	NGK spark plug NGK spark plug NGK spark plug	X	X		X	X	X		X		X



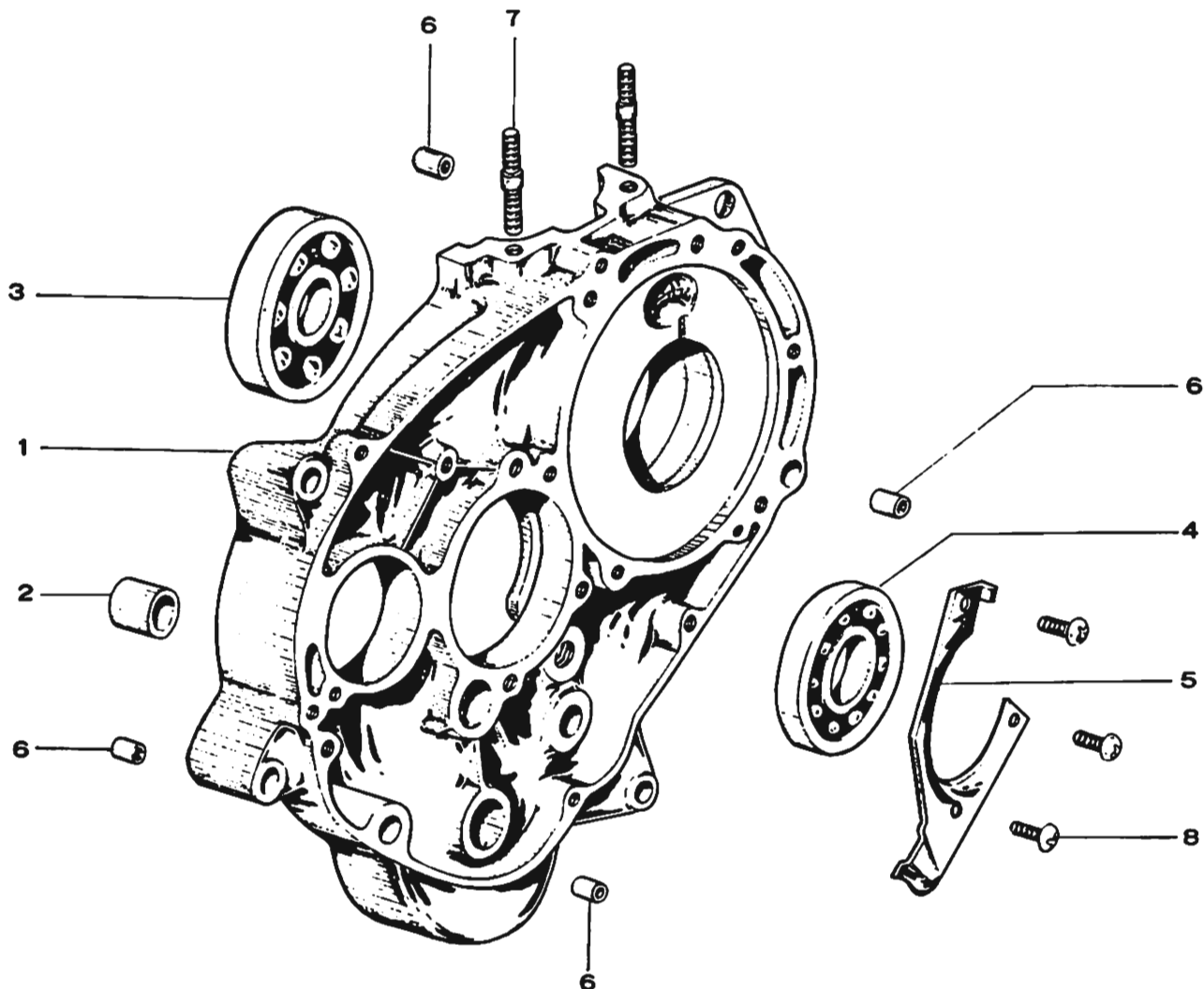
5) CRANKCASE A

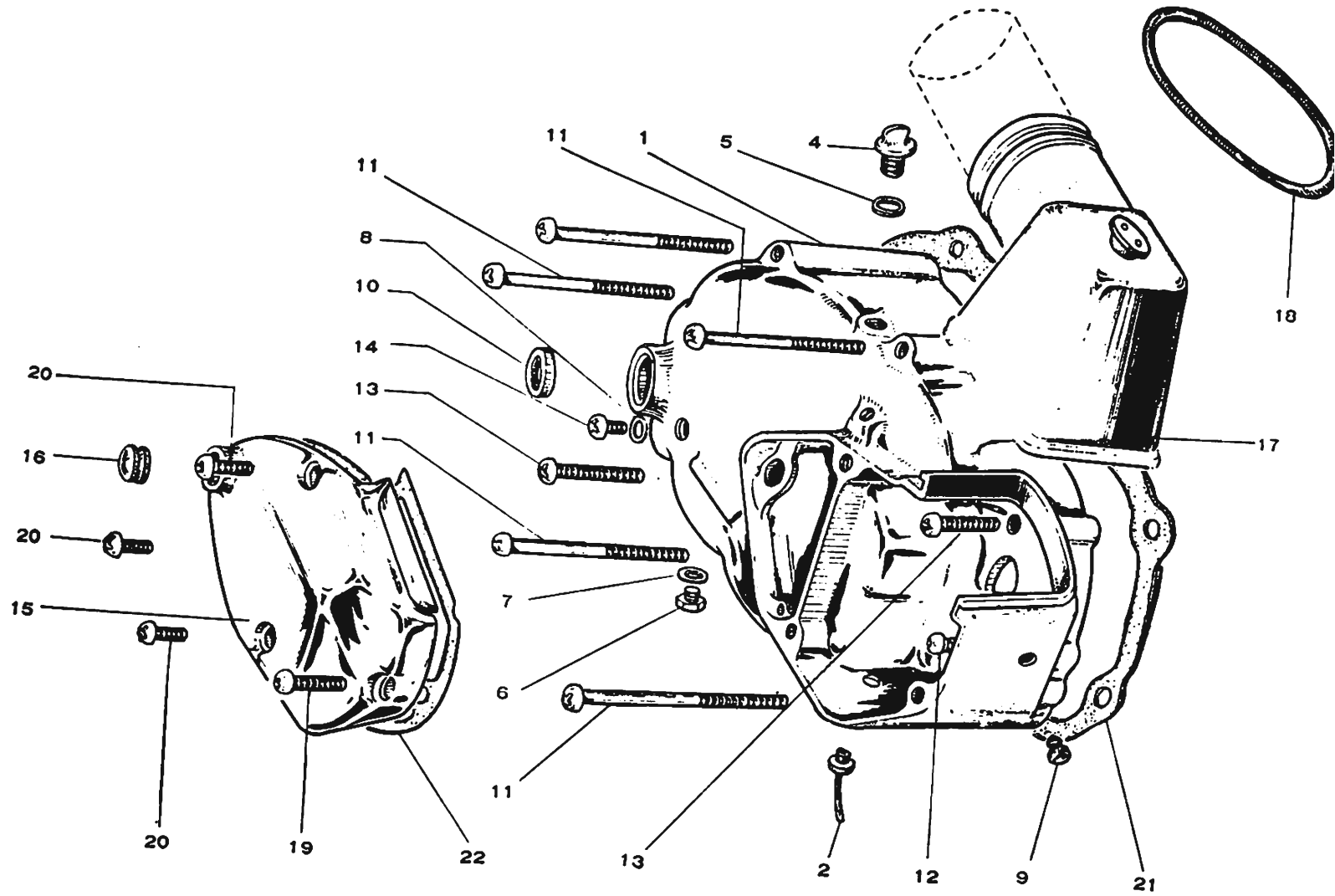
INDEX NO.	PART NO.	DESCRIPTION	90cc Without Oil Injection				90cc With Oil Injection				100cc O/I	
			90 STD	90 TR	90 M	90 SP	90 D	90 TR	90 M	90 SP	100 SP	100 TR
5-1	2110-5010 (EA1-21110)	Left crankcase comp	X	X	X	X	X	X	X	X		
5-2	2110-5400 07-6304-03 (EA1-21121)	Left crankcase comp Ball bearing	X	X	X	X	X	X	X	X	X	X
5-3	07-6201-03 (EA1-21122)	Ball bearing	X	X	X	X	X	X	X	X	X	X
5-4	07-6303-01 (E03311)	Ball bearing	X	X	X	X	X	X	X	X	X	X
5-5	09090-106 (EA1-21124)	20-32-7 oil seal	X	X	X	X	X	X	X	X	X	X
5-6	09090-107 (GA1-21261)	21-35-7 oil seal	X	X	X	X	X	X	X	X	X	X
5-7	09090-101 (E02614)	12-22-7	X	X	X	X	X	X	X	X	X	X
5-8	2121-5000 (EA1-21127)	6 x 27 cylinder stud	X	X	X	X	X	X	X	X		
5-9	2121-5400 1761-5000 (EA1-17311)	Cylinder stud Neutral switch case	X	X	X	X	X	X	X	X	X	X
5-10	1762-5000 (EA1-17312)	Contact plate	X	X	X	X	X	X	X	X	X	X
5-11	1763-5000 (EA1-17313)	Packing-neutral switch	X	X	X	X	X	X	X	X	X	X
5-12	0311-0516	5 x 16 screw	X	X	X	X	X	X	X	X	X	X
5-13	0311-0655	6 x 55 screw	X	X	X	X	X	X	X	X	X	X
5-14	0311-0645	6 x 45 screw	X	X	X	X	X	X	X	X	X	X
5-15	0311-0625	6 x 25 screw	X	X	X	X	X	X	X	X	X	X
5-16	09057-101	6 x 10 dowel pin	X	X	X	X	X	X	X	X	X	X
5-17	2181-5000 (EA1-21511)	Crankcase gasket	X	X	X	X						
5-18	2181-5010 09064-102 (E02632)	Crankcase gasket 6 MM fiber packing	X	X	X	X	X	X	X	X	X	X
5-19	0111-0608	6 x 8 hex bolt	X	X	X	X	X	X	X	X	X	X



6) CRANKCASE B

INDEX NO.	PART NO.	DESCRIPTION	90cc Without Oil Injection				90cc With Oil Injection				100cc O/I	
			90 STD	90 TR	90 M	90 SP	90 D	90 TR	90 M	90 SP	100 SP	100 TR
6-1	2130-5001 (EA1-21210)	Right crankcase	X	X	X	X						
	2130-5010	Right crankcase					X	X	X	X		
	2130-5400	Right crankcase									X	X
6-2	2133-5000 (EA1-21213)	Bushing-drive shaft	X	X	X	X	X	X	X	X	X	X
6-3	07-6304-03 (EA1-21121)	Ball bearing 6304	X	X	X	X	X	X	X	X	X	X
6-4	07-6006-01 (EA1-21222)	Ball bearing 6006	X	X	X	X	X	X	X	X	X	X
6-5	2145-5000 (EA1-21224)	Bearing holder	X	X	X	X	X	X	X	X	X	X
6-6	09057-101 (E02516)	Dowel pin	X	X	X	X	X	X	X	X	X	X
6-7	2121-5000 (EA1-21127)	6 x 27 cylinder stud	X	X	X	X	X	X	X	X		
	2121-5400	Cylinder stud									X	X
6-8	0311-0614	6 x 14 screw	X	X	X	X	X	X	X	X	X	X
6-9	2135-5000	Breather tube	X	X	X	X	X	X	X	X	X	X



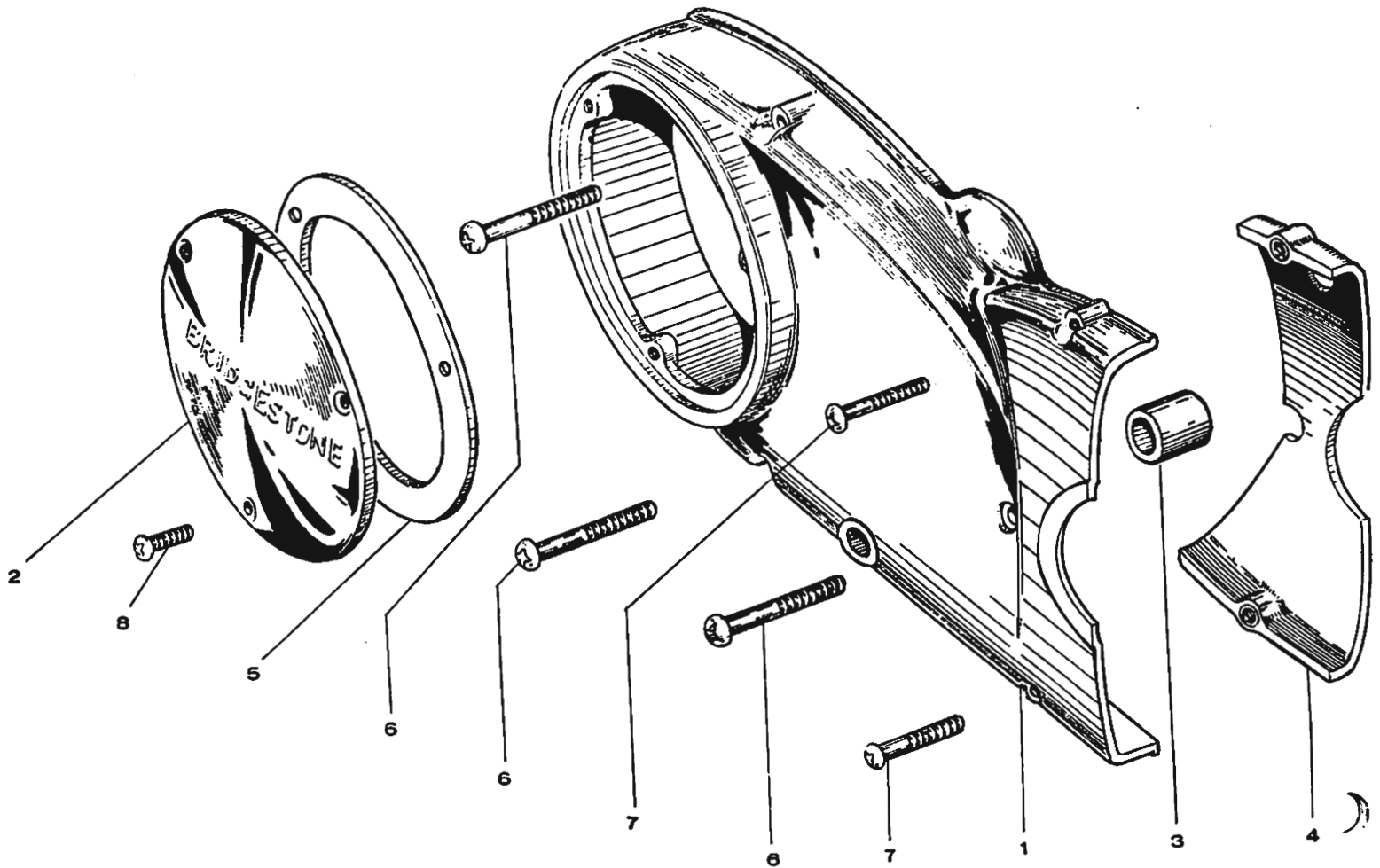


7) TRANSMISSION CASE

INDEX NO.	PART NO.	DESCRIPTION	90cc Without Oil Injection				90cc With Oil Injection				100cc O/I	
			90 STD	90 TR	90 M	90 SP	90 D	90 TR	90 M	90 SP	100 SP	100 TR
7-1	2160-5000 (EA1-21310)	Right crankcase cover	X	X	X	X						
7-2	2160-5010 2162-5002 (EA1-21321)	Right crankcase cover Drain pipe	X	X	X	X	X	X	X	X	X	X
7-3	2162-5002 (EA1-21322)	Drain pipe	X	X	X	X	X	X	X	X	X	X
7-4	2165-5000 (EA1-21332)	Oil filler plug	X	X	X	X						
7-5	2165-8000 09066-105 (EA1-21333)	Oil filler plug 14 MM O ring	X	X	X	X	X	X	X	X	X	X
7-6	09066-107 09058-102 (EA1-21334)	21 MM O ring Drain plug	X	X	X	X	X	X	X	X	X	X
7-7	09065-102 (EA1-21335)	16 aluminum gasket	X	X	X	X	X	X	X	X	X	X
7-8	09064-102 (E02632)	6 MM fiber gasket	X	X	X	X	X	X	X	X	X	X
7-9	2168-5000 (EA1-21337)	12 Rubber plug	X	X	X	X	X	X	X	X	X	X
7-10	09090-103 (E02613)	15-25-7 oil seal	X	X	X	X	X	X	X	X	X	X
7-11	0311-0665	6 x 65 screw	X	X	X	X	X	X	X	X	X	X
7-12	0311-0645	6 x 45 screw	X	X	X	X	X	X	X	X	X	X
7-13	0311-0635	6 x 35 screw	X	X	X	X	X	X	X	X	X	X
7-14	0111-0608	6 x 8 hex bolt	X	X	X	X	X	X	X	X	X	X
7-15	2176-5000 (EA1-21351)	Carburetor cover	X	X	X							
	2176-5010 (EA2-21351)	Carburetor cover				X						
	2176-5020	Carburetor cover					X	X	X	X	X	X
7-16	2179-5000 (EA1-21352)	Release cap	X	X	X	X	X	X	X	X	X	X
7-17	2177-5000 (EA1-21353)	Carburetor air cap	X	X	X							
	2177-5010 (EA2-21353)	Carburetor air cap				X						
	2177-5020	Carburetor air cap					X	X	X	X	X	X
7-18	2178-5000 (EA1-21355)	Carburetor cap ring	X	X	X							
	2178-5010 (EA2-21355)	Carb cap ring				X	X	X	X	X	X	X
7-19	0311-0625	6 x 25 screw	X	X	X	X	X	X	X	X	X	X
7-20	0311-0620	6 x 20 screw	X	X	X	X	X	X	X	X	X	X
7-21	2183-5000 (EA1-21512)	Packing crankcase cover	X	X	X	X						
	2183-5010	Packing crankcase cover					X	X	X	X	X	X
7-22	2185-5000 (EA1-21513)	Packing-carb cover	X	X	X	X						
	2185-5010	Packing-carb cover					X	X	X	X	X	X
7-23	1582-5012	Oil pump cable bracket					X	X	X	X	X	X
7-24	0311-0512	5 x 12 MM cable bracket screw					X	X	X	X	X	X

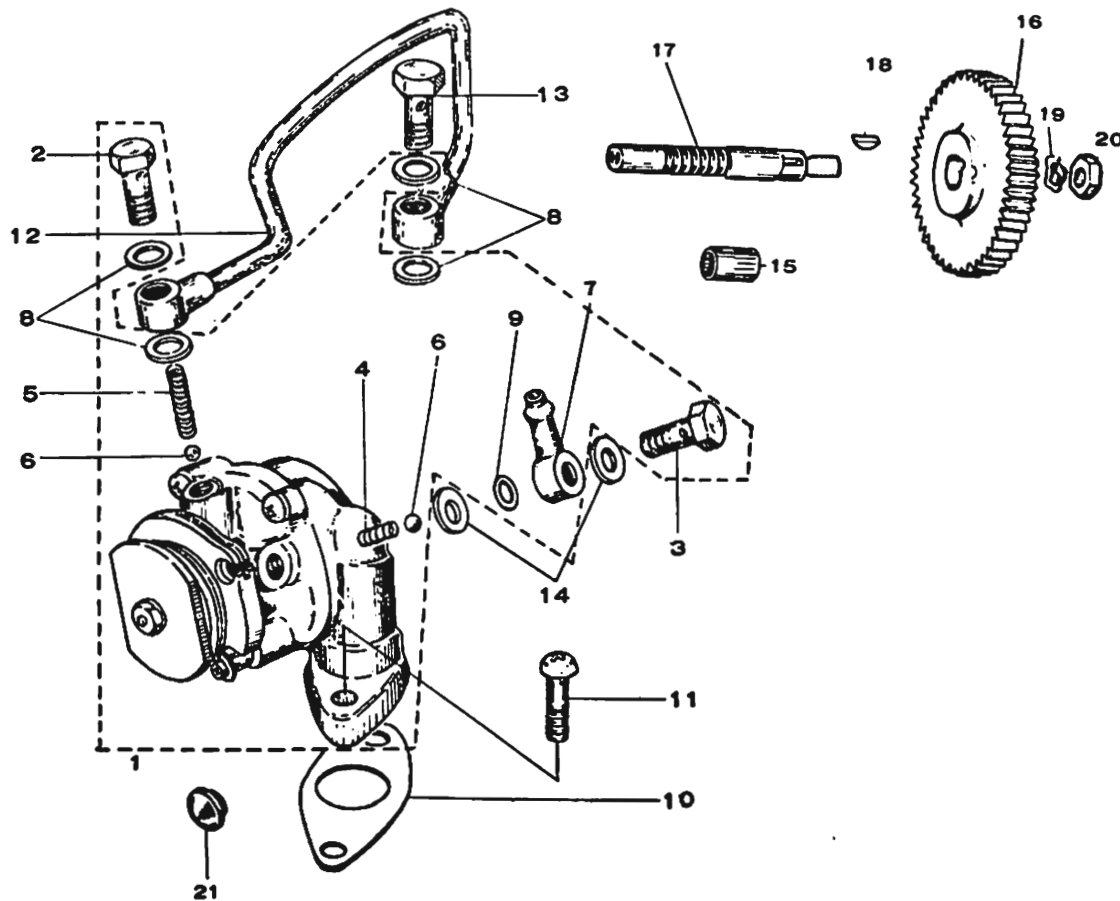
8) MAGNETO CASE

INDEX NO.	PART NO.	DESCRIPTION	90cc Without Oil Injection				90cc With Oil Injection				100cc O/I	
			90 STD	90 TR	90 M	90 SP	90 D	90 TR	90 M	90 SP	100 SP	100 TR
8-1	2151-5020 (EA1-21411)	Magneto case	X	X		X	X			X	X	X
	2151-5030 (EA13-21411)	Magneto case			X					X		
8-2	2152-5001 (EA1-21412)	Magneto case cover	X	X	X	X	X	X	X	X	X	X
8-3	2156-5000 (EA1-21422)	Rubber bushing	X	X	X	X	X	X	X	X	X	X
8-4	2153-5001 (EA1-21431)	Dust cover	X	X	X	X	X	X	X	X	X	X
8-5	2184-5000 (EA1-21514)	Packing-magneto cover	X	X	X	X	X	X	X	X	X	X
8-6	0311-0635	6 x 35 screw	X	X	X	X	X	X	X	X	X	X
8-7	0311-0625	6 x 25 screw	X	X	X	X	X	X	X	X	X	X
8-8	0342-0515	5 x 15 screw	X	X	X	X	X	X	X	X	X	X



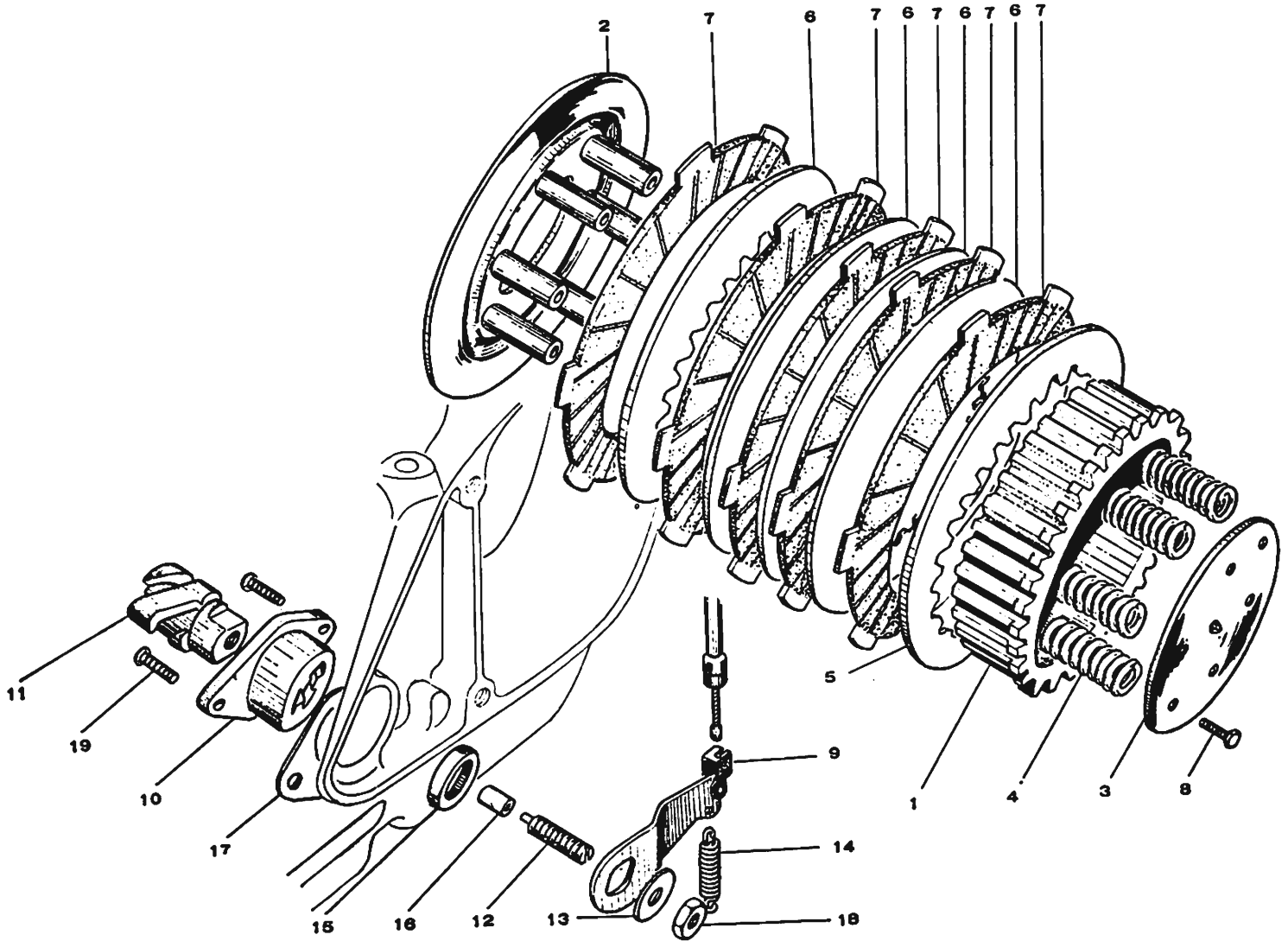
9) OIL PUMP

INDEX NO.	PART NO.	DESCRIPTION	90cc Without Oil Injection				90cc With Oil Injection				100cc O/I	
			90 STD	90 TR	90 M	90 SP	90 D	90 TR	90 M	90 SP	100 SP	100 TR
9-1	1501-5020	Oil pump assembly					X	X	X			
	1501-5030	Oil pump assembly								X	X	
9-2	1564-5010	Union bolt outlet					X	X	X	X	X	
9-3	1572-5010	Union bolt inlet					X	X	X	X	X	
9-4	1568-5010	Check ball spring inlet					X	X	X	X	X	
9-5	1569-5010	Check ball spring outlet					X	X	X	X	X	
9-6	0611-0108	1/8 ball					X	X	X	X	X	
9-7	1571-5010	Union connector B					X	X	X	X	X	
9-8	09065-103	6mm aluminum gasket					X	X	X	X	X	
9-9	09066-117	6mm O ring					X	X	X	X	X	
9-10	1563-5010	Pump gasket					X	X	X	X	X	
9-11	0311-0516	5 x 6 mm screw					X	X	X	X	X	
9-12	1566-5010	Oil tube A					X	X	X	X	X	
9-13	1564-8000	Union bolt					X	X	X	X	X	
9-14	09065-103	6mm aluminum gasket					X	X	X	X	X	
9-15	1513-5010	Worm shaft bushing					X	X	X	X	X	
9-16	1552-5010	Pump gear B					X	X	X	X	X	
9-17	1555-5010	Worm shaft					X	X	X	X	X	
9-18	0671-2510	Woodruff key					X	X	X	X	X	
9-19	0451-0815	Toothed washer					X	X	X	X	X	
9-20	0231-0800	8mm hex nut					X	X	X	X	X	
9-21	1587-5010	Rubber plug					X	X	X	X	X	
9-22	1582-5012	Cable adjusting bracket					X	X	X	X	X	





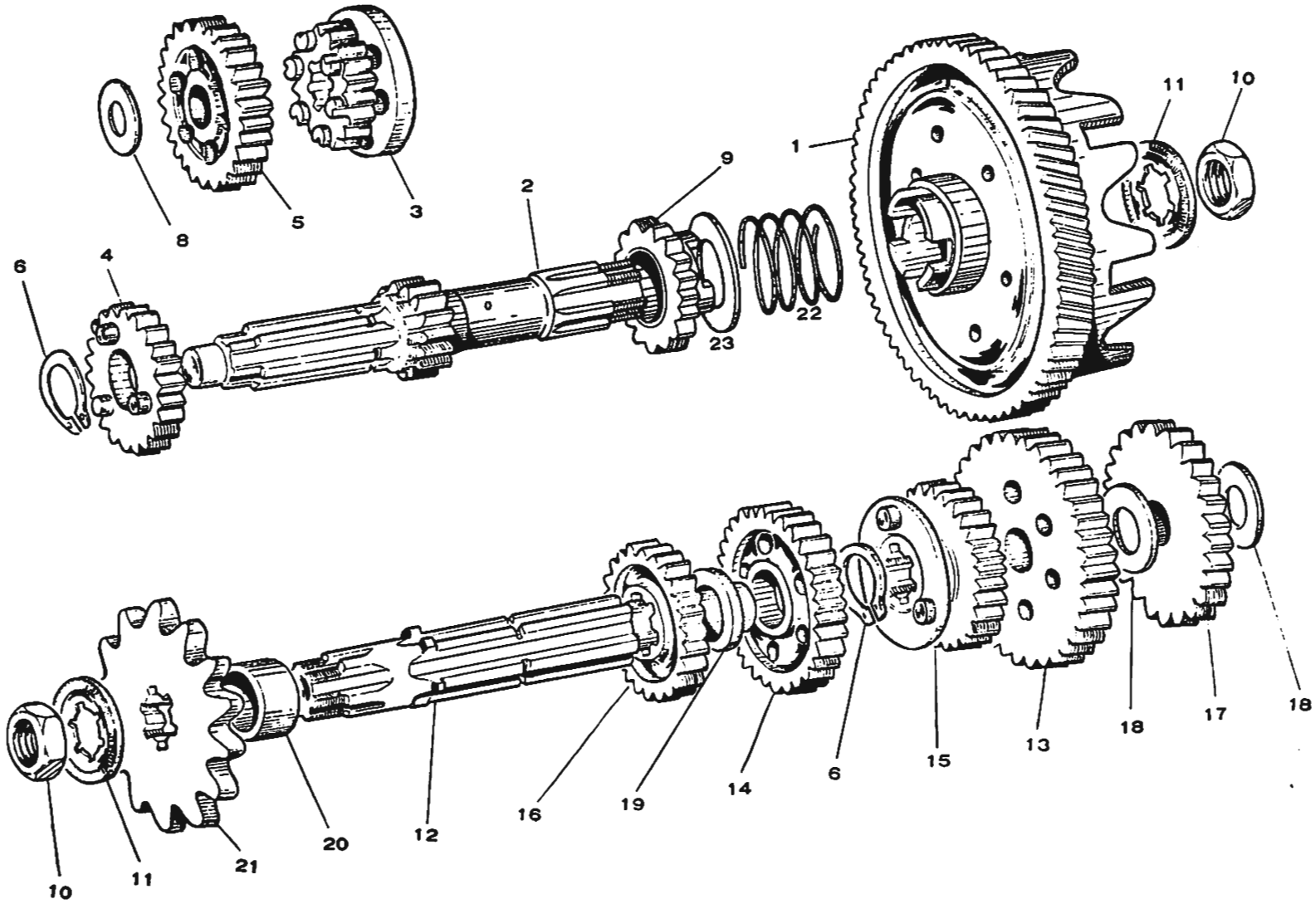
10) CLUTCH



10) CLUTCH

INDEX NO.	PART NO.	DESCRIPTION	90cc Without Oil Injection				90cc With Oil Injection				100cc O/I	
			90 STD	90 TR	90 M	90 SP	90 D	90 TR	90 M	90 SP	100 SP	100 TR
10-1	2221-5000 (EA1-22111)	Clutch hub	X	X	X	X	X	X	X	X	X	X
10-2	2210-5000 (EA1-22112)	Pressure plate	X	X	X	X	X	X	X	X	X	X
10-3	2227-5000 (EA1-22115)	Set plate comp	X	X	X	X	X	X	X	X	X	X
10-4	2218-5000 (EA1-22118)	Clutch spring	X	X	X		X	X	X			
10-5	2218-5010 2216-5000 (EA1-22119)	Clutch spring Outer plate	X	X	X	X	X	X	X	X	X	X
10-6	2215-5000 (EA1-22120)	Inner plate	X	X	X	X	X	X	X	X	X	X
10-7	2214-5000 (EA1-22121)	Friction plate	X	X	X	X	X	X	X	X	X	X
10-8	0113-0512	5 x 12 hex bolt	X	X	X	X	X	X	X	X	X	X
10-9	2260-5000 (EA1-22221)	Release arm	X	X	X	X						
	2261-5010	Release arm					X	X	X	X	X	X
	2275-5010	Pin release arm					X	X	X	X	X	X
10-10	2264-5000 (EA1-22225)	Release screw	X	X	X	X						
	2264-8000	Release screw					X	X	X	X	X	X
10-11	2265-5000 (EA1-22226)	Release push screw	X	X	X	X	X	X	X	X	X	X
10-12	2267-5000 (EA1-22227)	Adjusting screw	X	X	X	X	X	X	X	X	X	X
10-13	2268-5000 (EA1-22228)	Washer-adj screw	X	X	X	X	X	X	X	X	X	X
10-14	2271-5000 (EA1-22229)	Release return spring	X	X	X	X						
	2271-5010	Release return spring					X	X	X	X	X	X
10-15	09090-102 (EA1-22230)	15-21-3 Oil seal	X	X	X	X	X	X	X	X	X	X
10-16	09056-105 (EA1-22231)	6 x 10 roller	X	X	X	X	X	X	X	X	X	X
10-17	2186-5000 (EA1-21515)	Release screw gasket	X	X	X	X	X	X	X	X	X	X
10-18	0231-0600	6mm hex nut	X	X	X	X	X	X	X	X	X	X
10-19	0331-0614	6 x 14 screw	X	X	X	X	X	X	X	X	X	X

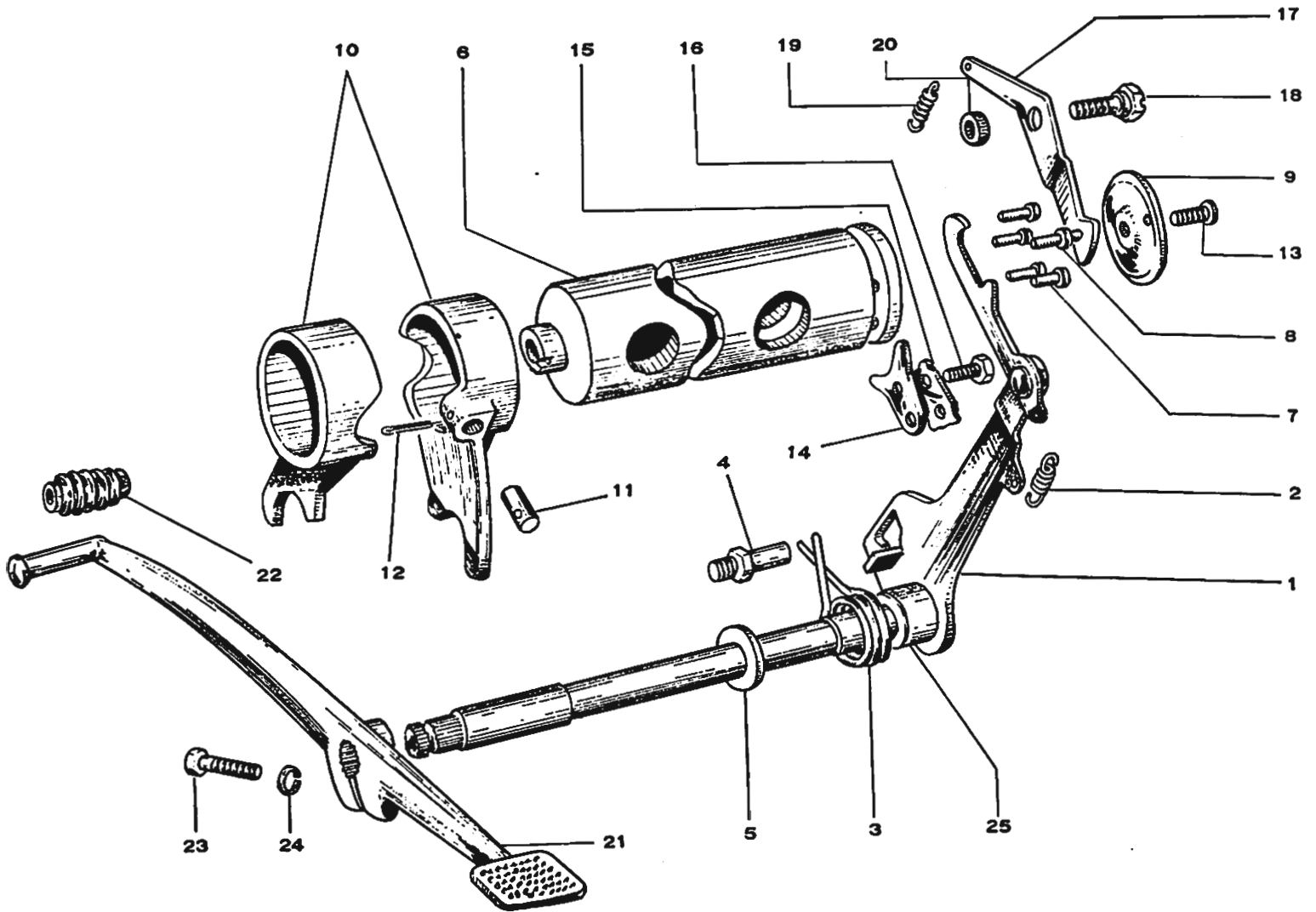
11) TRANSMISSION



## 11) TRANSMISSION

INDEX NO.	PART NO.	DESCRIPTION	90cc Without Oil Injection				90cc With Oil Injection				100cc O/I	
			90 STD	90 TR	90 M	90 SP	90 D	90 TR	90 M	90 SP	100 SP	100 TR
1-1	2410-5001 (EA1-23110)	Driven gear	X	X	X	X	X	X	X	X	X	X
11-2	2421-5001 (EA1-23211)	Counter shaft	X	X	X	X	X	X	X	X	X	X
11-3	2426-5000 (EA1-23212)	Second gear A	X	X	X	X	X	X	X	X	X	X
11-4	2431-5000 (EA1-23213)	Third gear A	X	X	X	X	X	X	X	X	X	X
11-5	2436-5000 (EA1-23214)	High gear A	X	X	X	X	X	X	X	X	X	X
11-6	09002-103 (EA1-23215)	17mm snap ring	X	X	X	X	X	X	X	X	X	X
11-7	2478-5000 (EA1-23216)	Bushing-driven gear before 12T	X	X	X	X						
11-8	09048-101 (EA1-23217)	12mm thrust washer	X	X	X	X	X	X	X	X	X	X
11-9	2610-5000 (EA1-23220)	Kick gear A	X	X	X	X	X	X	X	X	X	X
11-10	09021-102 (EA1-23231)	16mm hex nut	X	X	X	X	X	X	X	X	X	X
11-11	09047-103 (EA1-23232)	17mm lock washer	X	X	X	X	X	X	X	X	X	X
11-12	2446-5000 (EA1-23311)	Drive shaft bef 12K	X	X	X	X						
	2446-5001 (EA1-23311-1)	Drive shaft aft 12K	X	X	X	X	X	X	X	X	X	X
11-13	2451-5000 (EA1-23312)	First gear B	X	X	X	X	X	X	X	X	X	X
11-14	2456-5000 (EA1-23313)	Second gear B	X	X	X	X	X	X	X	X	X	X
11-15	2461-5000 (EA1-23314)	Third gear B	X	X	X	X	X	X	X	X	X	X
11-16	2466-5000 (EA1-23315)	High gear B	X	X	X	X	X	X	X	X	X	X
11-17	2616-5000 (EA1-23316)	Kick starter gear B	X	X	X	X	X	X	X	X	X	X
11-18	09048-102 (EA1-23317)	13mm thrust washer	X	X	X	X	X	X	X	X	X	X
11-19	2481-5000 (EA1-23318)	Drive shaft collar	X	X	X	X	X	X	X	X	X	X
11-20	2483-5000 (EA1-23321)	Oil seal collar	X	X	X	X	X	X	X	X	X	X
11-21	2484-5000 (EA1-23322)	Drive sprocket 14T	X	X	X	X	X	X	X	X		
	2484-5400	Drive sprocket 15T									X	X
11-22	2424-5000	Spring clutch gear					X	X	X	X	X	X
11-23	09048-106	17mm thrust washer					X	X	X	X	X	X

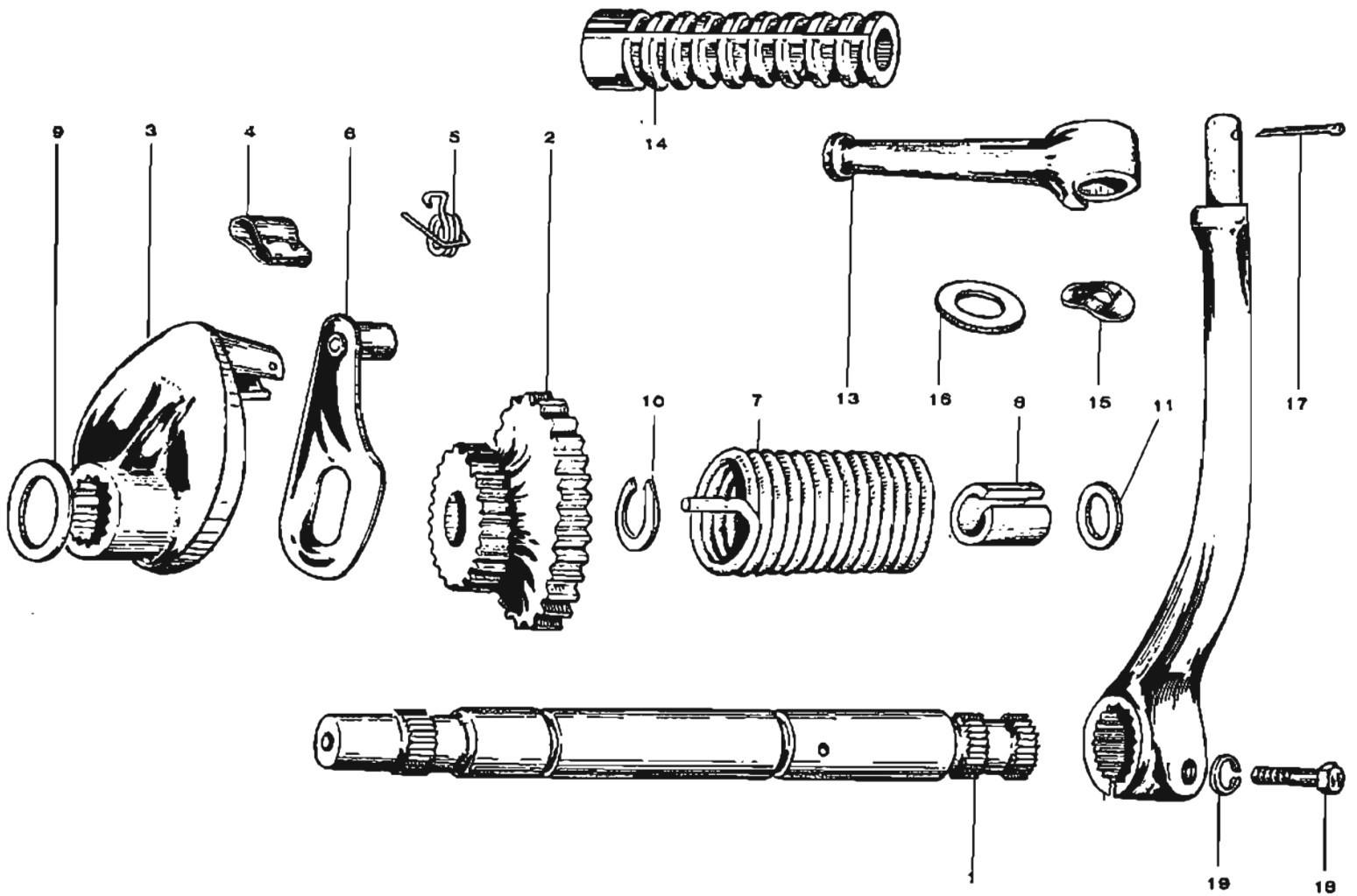
12) GEAR CHANGE - SHIFT DRUM - CHANGE PEDAL



12) GEAR CHANGE SHAFT-SHIFT DRUM  
GEAR CHANGE PEDAL

INDEX NO.	PART NO.	DESCRIPTION	90cc Without Oil Injection				90cc With Oil Injection				100cc O/I	
			90 STD	90 TR	90 M	90 SP	90 D	90 TR	90 M	90 SP	100 SP	100 TR
12-1	2510-5000 (EA1-24110-0)	Gear change shaft bef 2-66	X	X	X	X						
	2510-5002 (EA1-24110-1)	Gear change shaft aft 2-66	X	X	X	X	X	X	X	X	X	X
12-2	2517-5000 (EA1-24115)	Drum shifter spring	X	X	X	X	X	X	X	X	X	X
12-3	2551-5000 (EA1-24117)	Return spring	X	X	X	X	X	X	X	X	X	X
12-4	2553-5000 (EA1-24118)	Stopper pin	X	X	X	X	X	X	X	X	X	X
12-5	2552-3002 (E06114)	12mm washer	X	X	X	X	X	X	X	X	X	X
12-6	2502-5000 (EA1-24210)	Shift drum bef 5-66	X	X	X	X						
	2502-5001 (EA1-24210-1)	Shift drum aft 5-66	X	X	X	X	X	X	X	X	X	X
12-7	2522-5000 (EA1-24212)	Shift pin bef 5-66	X	X	X	X						
	2522-3200 (GB1-24212)	Shift pin aft 5-66	X	X	X	X	X	X	X	X	X	X
12-8	2523-5000 (EA1-24213)	Shift pin stopper bef 5-66	X	X	X	X						
	2523-3200 (GB1-24213)	Shift pin stopper aft 5-66	X	X	X	X	X	X	X	X	X	X
12-9	2524-5000 (EA1-24214)	Shift pin holder bef 5-66	X	X	X	X						
	2524-3200 (GB1-24214)	Shift pin holder	X	X	X	X	X	X	X	X	X	X
12-10	2541-5001 (EA1-24215)	Shift fork	X	X	X	X	X	X	X	X	X	X
12-11	2544-5000 (EA1-24216)	Fork guide bef 7-65	X	X								
	2544-3200 (GB1-24216)	Fork guide aft 7-65	X	X	X	X	X	X	X	X	X	X
12-12	0551-2525	2.5 x 25 cotter pin	X	X	X	X	X	X	X	X	X	X
12-13	0311-0512	5 x 12 screw	X	X	X	X	X	X	X	X	X	X
12-14	2549-5000 (EA1-24221-0)	Thrust receiver bef 3-65	X	X	X	X						
	2549-5001 (EA1-24221-1)	Thrust receiver aft 3-65	X	X	X	X	X	X	X	X	X	X
12-15	0441-0611 (EA1-24222)	lock plate	X	X	X	X	X	X	X	X	X	X
12-16	0112-0614	6 x 14mm hex bolt	X	X	X	X	X	X	X	X	X	X
12-17	2531-5001 (EA1-24230)	Drum stopper	X	X	X	X	X	X	X	X	X	X
12-18	2536-5000 (EA1-24232)	Drum stopper bolt	X	X	X	X	X	X	X	X	X	X
12-19	2538-5000 (EA1-24235)	Drum stopper spring	X	X	X	X	X	X	X	X	X	X
12-20	2537-5000 (EA1-24234)	6mm collar	X	X	X	X	X	X	X	X	X	X
12-21	2581-5000 (EA1-24311)	Gear change pedal	X	X		X	X	X		X	X	X
12-22	2581-5030 2582-5000 (EA1-24312)	Gear change pedal Change pedal rubber	X	X		X	X	X		X	X	X
12-23	0113-0620	6 x 20mm hex bolt	X	X	X	X	X	X	X	X	X	X
12-24	0431-0615	6mm lock washer	X	X	X	X	X	X	X	X	X	X
12-25	2557-8000	Collar-change shaft aft 2-66	X	X	X	X	X	X	X	X	X	X

13) KICK SHAFT - KICK PEDAL

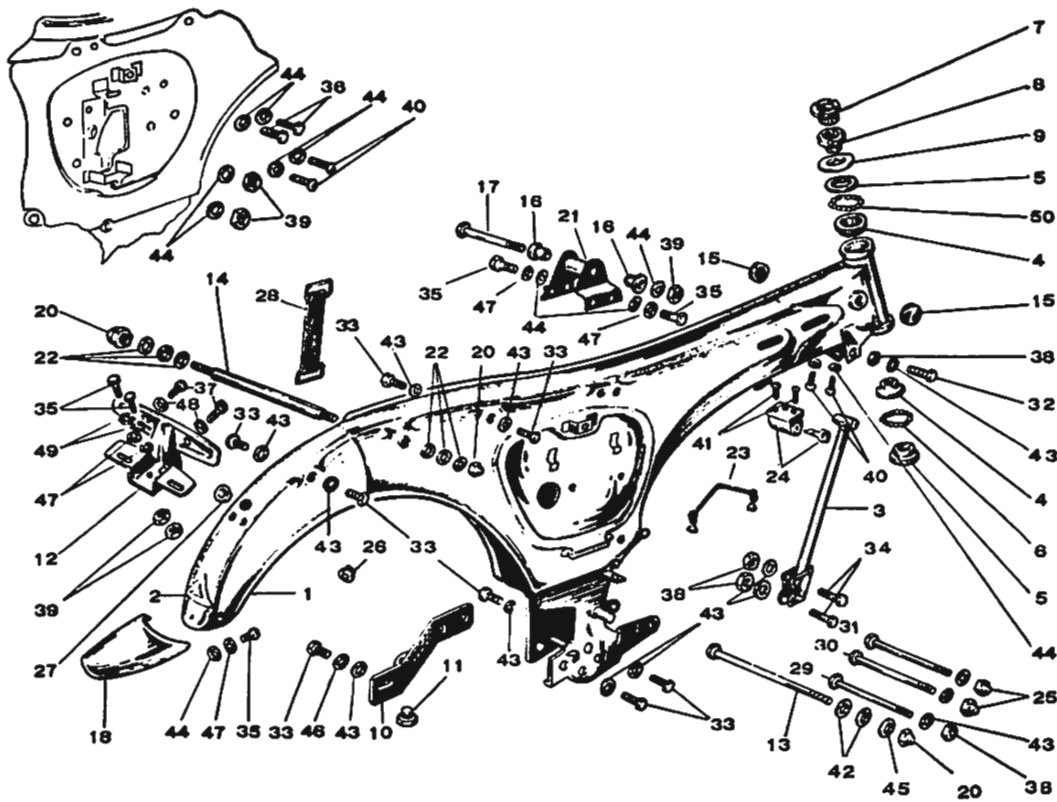


13) KICK SHAFT - KICK PEDAL

INDEX NO.	PART NO.	DESCRIPTION	90cc Without Oil Injection				90cc With Oil Injection				100cc O/I	
			90 STD	90 TR	90 M	90 SP	90 D	90 TR	90 M	90 SP	100 SP	100 TR
13-1	2621-5002 (EA1-25111)	Kick starter shaft	X	X	X	X						
13-2	2621-3201 2631-5000 (EA1-25112)	Kick starter shaft Kick starter gear	X	X	X	X	X	X	X	X	X	X
13-3	2632-5000 (EA1-25113)	Starter ratchet arm	X	X	X	X	X	X	X	X	X	X
13-4	2633-5000 (EA1-25114)	Starter ratchet	X	X	X	X	X	X	X	X	X	X
13-5	2634-5000 (EA1-25115)	Ratchet spring	X	X	X	X	X	X	X	X	X	X
13-6	2635-5000 (EA1-25120)	Stopper ratchet arm	X	X	X	X	X	X	X	X	X	X
13-7	2636-5001 (EA1-25131)	Kick return spring	X	X	X	X	X	X	X	X	X	X
13-8	2638-3200 (EA1-25132)	Spring spacer	X	X	X	X	X	X	X	X	X	X
13-9	09048-101 (EA1-23217)	12mm thrust washer	X	X	X	X	X	X	X	X	X	X
13-10	09006-101 (E05215)	15mm snap ring bef 12Q only	X	X	X	X						
13-11	09041-106 (E07213)	15mm washer	X	X	X	X	X	X	X	X	X	X
13-12	2680-5000 (EA1-25200)	Kick pedal assy	X	X	X	X	X	X	X	X	X	X
13-13	2690-3010 (E28512)	Kick pedal	X	X	X	X	X	X	X	X	X	X
13-14	2683-3011 (E18513)	Kick pedal rubber	X	X	X	X	X	X	X	X	X	X
13-15	2684-5000 (E18514)	Kick pedal spring	X	X	X	X	X	X	X	X	X	X
13-16	09041-107 (E18515)	10mm washer	X	X	X	X	X	X	X	X	X	X
13-17	0551-3018	3 x 18 cotter pin	X	X	X	X	X	X	X	X	X	X
13-18	0113-0625	6 x 25mm hex bolt	X	X	X	X	X	X	X	X	X	X
13-19	0431-0615	6mm lock washer	X	X	X	X	X	X	X	X	X	X



14) STAMPED STEEL FRAME

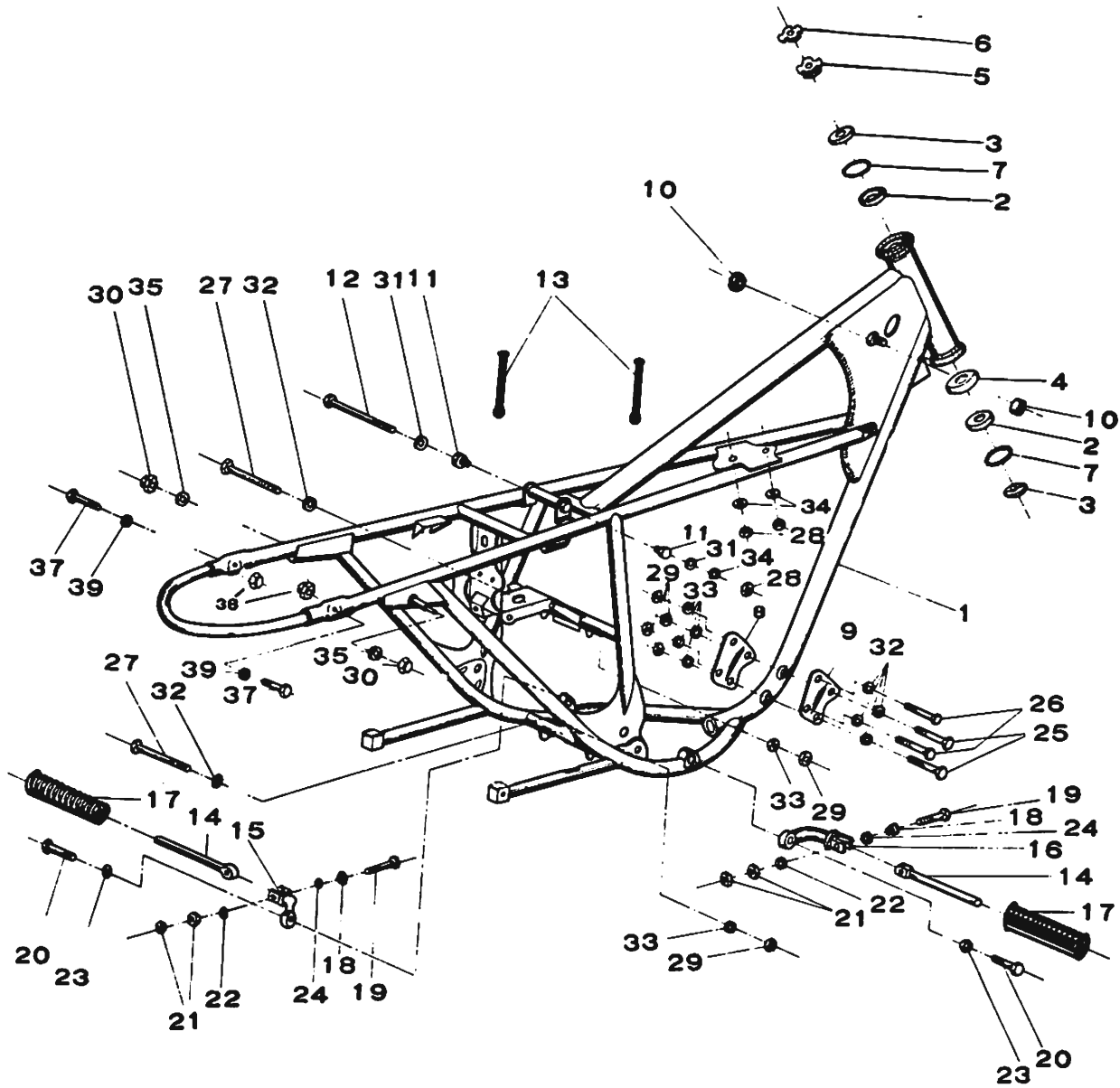


INDEX NO.	PART NO.	DESCRIPTION	90cc Without Oil Injection				90cc With Oil Injection				100cc O/I	
			90 STD	90 TR	90 M	90 SP	90 D	90 TR	90 M	90 SP	100 SP	100 TR
14-1	3110-5011-CBK (EAE-31100-OB)	Frame black	X									
	3110-5011-MB (EAE-31100-OMB)	Frame blue		X	X							
	3110-5031-CBK (EA2-31110-OB)	Frame black				X						
	3110-5060-CBK	Frame black					X					
	3110-5060-MB	Frame blue						X	X			
	3110-5070-FAR	Frame red								X	X	
	See section 15	Pipe frame black										X'
14-3	3331-5000 (EA1-31320)	Down tube	X	X	X	X						
	3331-5010	Down tube					X	X	X	X	X	
14-4	3313-5000 (EA1-31411)	Inner race	X	X	X	X	X	X	X	X	X	
14-5	3311-5000 (EA1-31412)	Outer race	X	X	X	X	X	X	X	X	X	
14-6	0611-0316	Ball	X	X	X	X	X	X	X	X	X	
	3318-5000 (EA1-31410)	Ball cage-upper	X	X	X	X	X	X	X	X	X	
14-7	3321-5000 (EA1-31414)	Lock nut	X	X	X	X	X	X	X	X	X	
14-8	3322-5000 (EA1-31415)	Adjusting nut	X	X	X	X	X	X	X	X	X	
14-9	3319-5000 (EA1-31416)	Race cap	X	X	X	X	X	X	X	X	X	
14-10	3334-5000 (EA1-31417)	Muffler bracket	X	X		X	X			X	X	
	3336-5010 (EA13-31417)	Stopper bracket				X			X			
14-11	3335-3000 (MO1829)	Rubber stopper	X	X	X	X	X	X	X	X	X	
14-12	-	License bracket See tail light assembly										

14) STAMPED STEEL FRAME

INDEX NO.	PART NO.	DESCRIPTION	90cc Without Oil Injection				90cc With Oil Injection				100cc O/I	
			90 STD	90 TR	90 M	90 SP	90 D	90 TR	90 M	90 SP	100 SP	100 TR
14-13	3414-5000 (EA1-31421)	10 x 245 MM bolt	X	X	X	X	X	X	X	X	X	
14-14	3415-5000 (EA1-31422)	10 x 200 MM bolt	X	X		X	X	X		X		
	3415-5010 (EA13-41422)	10 x 230 MM bolt			X					X		
	3389-5010 (EA13-31433)	Space collar			X					X		
14-15	3416-5000 (EA1-31423)	Front tank rubber	X	X	X	X	X	X	X	X	X	X
14-16	3417-5000 (EA1-31424)	Rear tank rubber	X	X	X	X	X	X	X	X	X	X
14-17	3419-5000 (EA1-31425)	Tank set bolt	X	X	X	X	X	X	X	X	X	X
14-18	3422-5000-MS (EA1-31426)	Mud flap-metal	X	X	X	X	X	X	X	X	X	X
14-20	09525-105 (EA1-31428)	10 MM blind nut	X	X	X	X	X	X	X	X	X	X
14-21	3418-5000 (EA1-31429)	Rear tank bracket	X	X	X	X	X	X	X	X	X	X
14-22	09541-107 (EA1-41432)	10 MM plain washer	X	X	X	X	X	X	X	X	X	X
14-23	3354-5001 9EA1-31440)	Tool band	X	X	X	X	X	X	X	X	X	X
14-24	3433-5000 (EA1-31450)	Steering lock	X	X	X	X						
	3433-5010	Steering lock					X	X	X	X	X	X
14-25	09525-102 (MO1839)	8 MM blind nut	X	X	X	X	X	X	X	X	X	X
14-27	8256-3010 (MO1831)	Grommet-tail light	X	X	X	X	X	X	X	X	X	X
14-28	3353-3001 (MO1833)	Battery band	X	X	X	X	X	X	X	X	X	X
14-29	09511-113	8 x 114 MM hex bolt	X	X	X	X	X	X	X	X	X	X
14-30	09511-114	8 x 106 MM hex bolt	X	X	X	X	X	X	X	X	X	X
14-31	09511-115	8 x 102 MM hex bolt	X	X	X	X	X	X	X	X	X	X
14-32	0111-0862	8 x 62 MM hex bolt	X	X	X	X	X	X	X	X	X	X
14-33	0111-0816	8 x 16 MM hex bolt	X	X	X	X	X	X	X	X	X	X
14-34	0111-0832	8 x 32 MM hex bolt	X	X	X	X	X	X	X	X	X	X
14-35	0111-0614	6 x 14 MM hex bolt	X	X	X	X	X	X	X	X	X	X
14-36	0111-0610	6 x 10 MM hex bolt	X	X	X	X	X	X	X	X	X	X
14-37	0121-0510	5 x 10 MM hex bolt	X	X	X	X	X	X	X	X	X	X
14-38	0231-0800	8 MM hex nut	X	X	X	X	X	X	X	X	X	X
14-39	0231-0600	6 MM hex nut	X	X	X	X	X	X	X	X	X	X
14-40	0311-0610	6 x 10 MM screw	X	X	X	X	X	X	X	X	X	X
14-41	0381-0610	6 x 10 MM screw	X	X	X	X	X	X	X	X	X	X
14-42	0411-1022	10 MM flat washer	X	X	X	X	X	X	X	X	X	X
14-43	0411-0818	8 MM flat washer	X	X	X	X	X	X	X	X	X	X
14-44	0411-0613	6 MM flat washer	X	X	X	X	X	X	X	X	X	X
14-45	0431-1025	10 MM lock washer	X	X	X	X	X	X	X	X	X	X
14-46	0431-0820	8 MM lock washer	X	X	X	X	X	X	X	X	X	X
14-47	0431-0615	6 MM lock washer	X	X	X	X	X	X	X	X	X	X
14-48	0431-0513	5 MM lock washer	X	X	X	X	X	X	X	X	X	X
14-49	0451-0611	Tooth washer	X	X	X	X	X	X	X	X	X	X
14-50	3427-5010	Tool set pad					X	X	X	X		

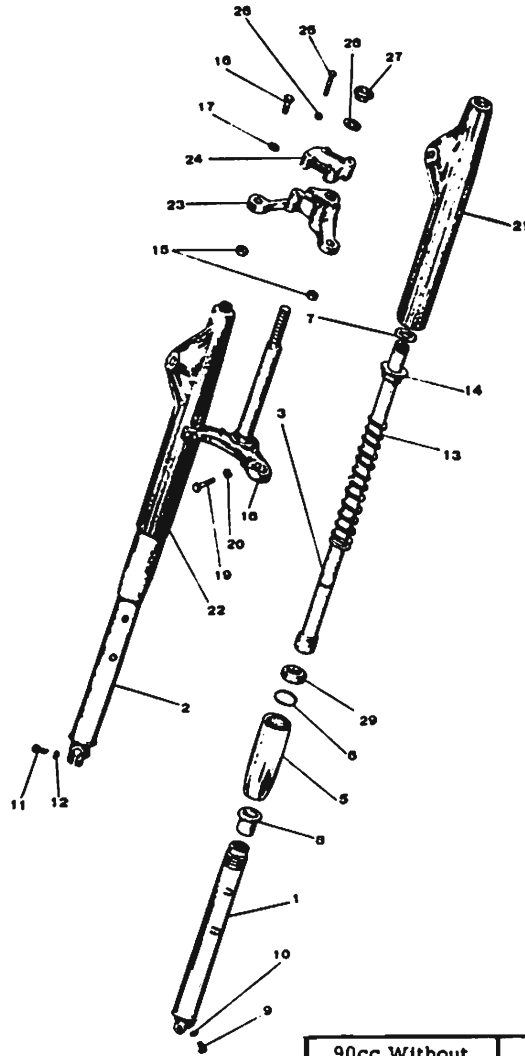
15) PIPE FRAME 100 T



15) PIPE FRAME 100 TRAIL

INDEX NO.	PART NO.	DESCRIPTION	90cc Without Oil Injection				90cc With Oil Injection				100cc O/I	
			90 STD	90 TR	90 M	90 SP	90 D	90 TR	90 M	90 SP	100 SP	100 TR
15-1	3110-5600 CBK	Frame comp										X
15-2	3311-3200	Outer race										X
15-3	3314-3200	Upper inner race										X
15-4	3315-3200	Lower inner race										X
15-5	3319-3200	Race cap										X
15-6	3321-3200	Race lock nut										X
15-7	0611-0316	Ball										X
15-8	3365-5600 CBK	Left engine bracket										X
15-9	3365-5600 CBK	Right engine bracket										X
15-10	3416-8000	Front tank cushion rubber										X
15-11	3417-5000	Rear tank cushion rubber										X
15-12	3419-5000	Tank mounting bolt										X
15-13	3424-3010	Wire harness strap										X
15-14	3711-5010	footrest bar										X
15-15	3715-5600	Left footrest										X
15-16	3716-5600	Right footrest										X
15-17	3721-3002	Footrest rubber										X
15-18	3722-5010	Footrest mounting spacer										X
15-19	3723-5010	Footrest mounting bolt										X
15-20	09511-129	12 x 50 hexagon bolt										X
15-21	0231-0800	Hexagon nut C										X
15-22	0411-0818	Plain washer A										X
15-23	0432-1230	Spring washer										X
15-24	09546-104	10 wave washer										X
15-25	0124-0838	Hexagon bolt B										X
15-26	0114-0862	Hexagon bolt B										X
15-27	09511-101	8 x 108 hexagon bolt										X
15-28	0211-0600	Hexagon nut A										X
15-29	0211-0800	Hexagon nut A										X
15-30	09525-105	10 cap nut										X
15-31	0411-0613	Plain washer A										X
15-32	0411-0818	Plain washer A										X
15-33	0431-0820	Spring washer										X
15-34	0432-0615	Spring washer										X
15-35	09541-107	Plain washer										X
15-36	09546-102	Wave washer										X
15-37	0111-0842	Hex bolt										X
15-38	09525-102	8 MM cap nut										X
15-39	0411-0818	Plain washer										X

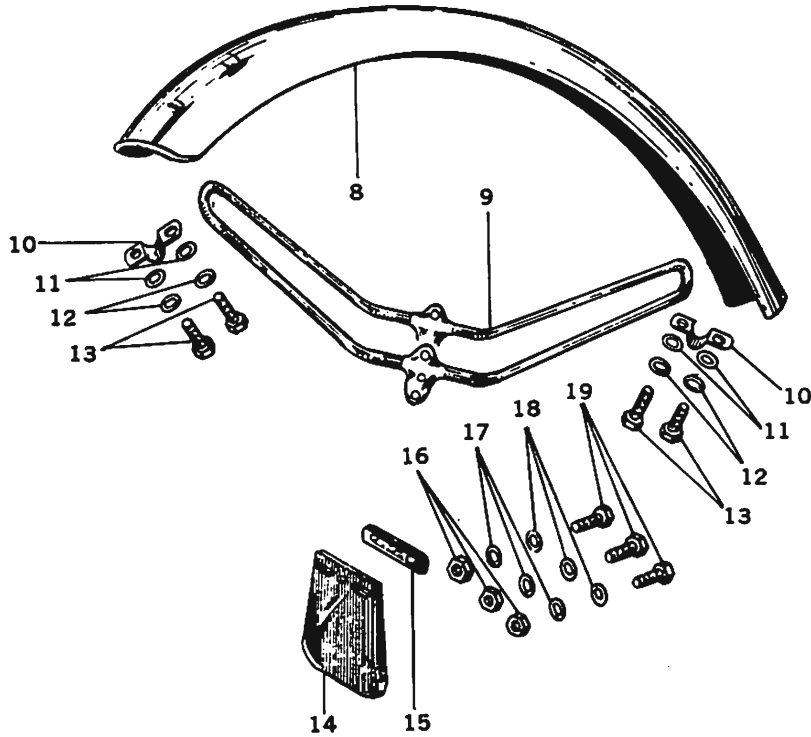
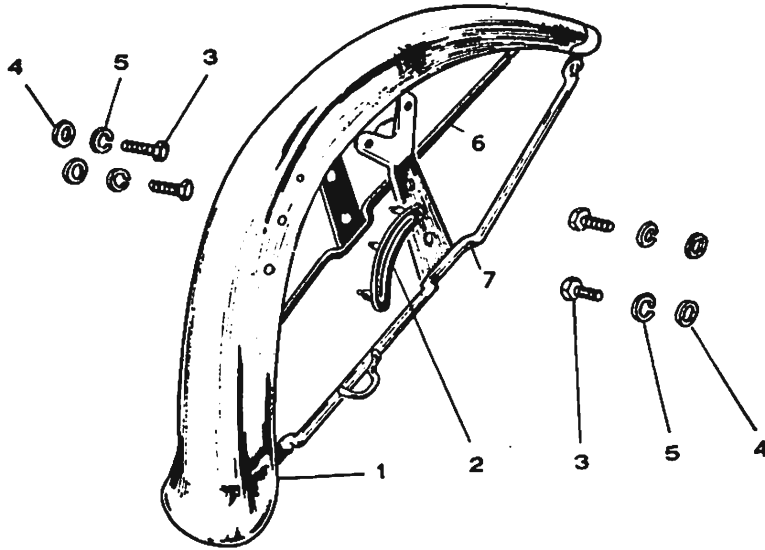
16) TELESCOPIC FRONT FORK



INDEX NO.	PART NO.	DESCRIPTION	90cc Without Oil Injection				90cc With Oil Injection				100cc O/I	
			90 STD	90 TR	90 M	90 SP	90 D	90 TR	90 M	90 SP	100 SP	100 TR
16-0	4100-5000-CBK (EA1-41000-OB)	Front fork assy black	X			X	X					
	4100-5000-OMB (EA1-41000-OMB)	Front fork assy blue		X				X				
	4100-5020-MB (EA13-41000-OMB)	Front fork assy blue			X				X			
	4100-5000-FAR	Front fork assy red								X	X	
	4100-5600-MB	Front fork assy blue										X
16-1	4111-5001-MS (EA1-51110-MS)	Outer tube left	X	X	X	X	X	X	X	X	X	
	4111-5011-MS	Outer tube left										X
16-2	4131-5001-MS (EA1-41210-MS)	Outer tube right	X	X	X	X	X	X	X	X	X	
	4131-5011-MS	Outer tube right										X
16-3	4113-5001 (EA1-41120)	Inner tube comp	X	X	X	X	X	X	X	X	X	
	4113-5010	Inner tube comp										X
16-5	4114-5000 (EA1-41131)	Outer tube nut	X	X	X	X	X	X	X	X	X	
	4114-3210	Outer tube nut										X
16-6	09566-102 (EA1-41132)	33 MM O ring	X	X	X	X	X	X	X	X	X	
	09566-103	29 MM O ring										X
16-7	4115-5000 (EA1-41134)	Spring seat	X	X	X	X	X	X	X	X	X	
	4115-3210	Spring seat										X
16-8	4116-5000 (EA1-41141)	Slide bushing	X	X	X	X	X	X	X	X	X	
	-	Not required										X
16-9	09531-101 (EA1-41161)	4 x 7 MM screw	X	X	X	X	X	X	X	X	X	
	0111-0508	5 x 8 MM hex bolt										X

16) TELESCOPIC FRONT FORK

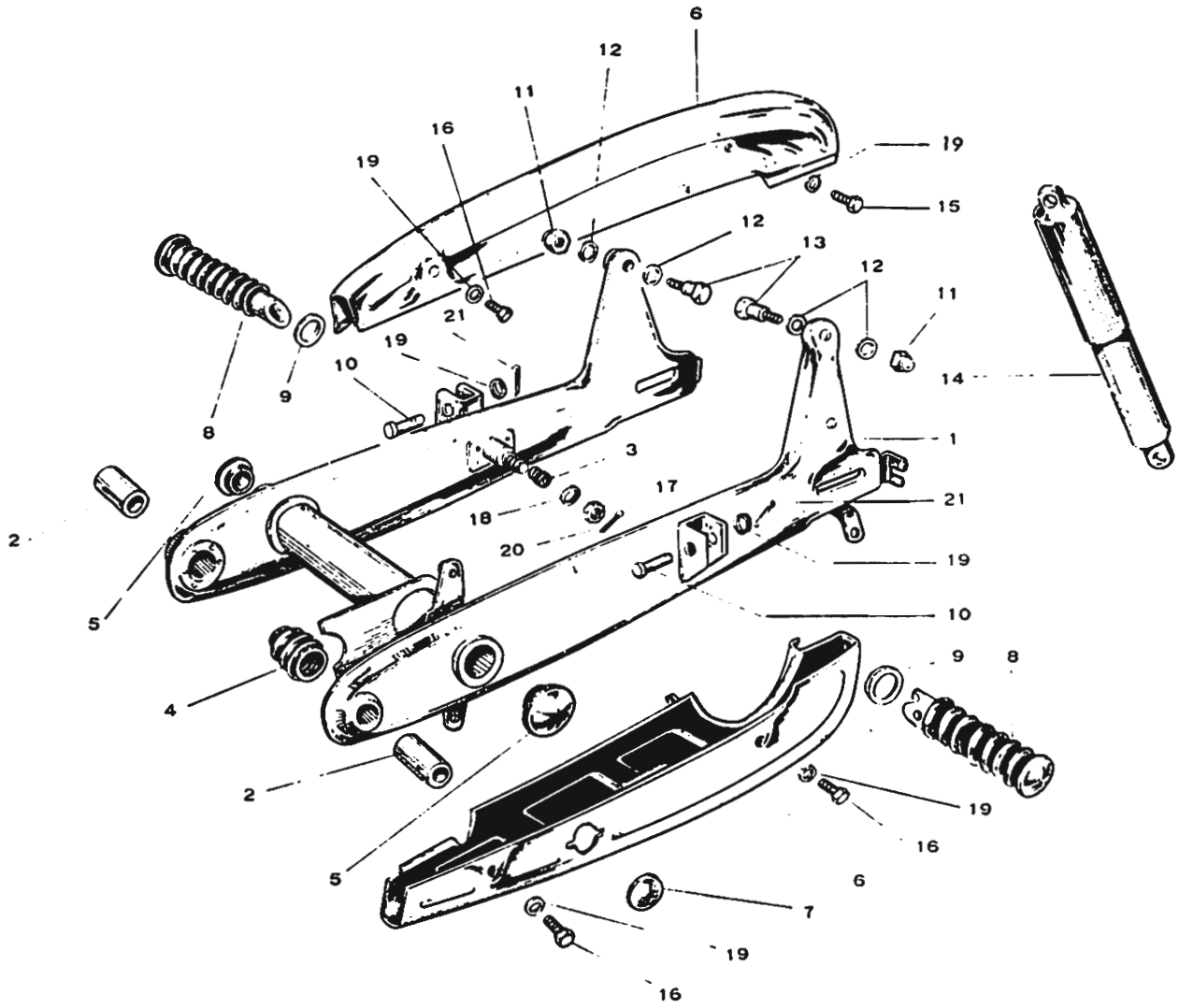
INDEX NO.	PART NO.	DESCRIPTION	90cc Without Oil Injection				90cc With Oil Injection				100cc O/I	
			90 STD	90 TR	90 M	90 SP	90 D	90 TR	90 M	90 SP	100 SP	100 TR
16-10	4118-5000 (EA1-41162)	Drain plug gasket	X	X	X	X	X	X	X	X	X	
	4118-3210	Drain plug gasket										X
16-11	09511-116 (EA1-41251)	8 x 25 hex bolt	X	X	X	X	X	X	X	X	X	
	09511-125	8 x 32 hex bolt										X
16-12	0431-0820	8 MM lock washer	X	X	X	X	X	X	X	X	X	
	0421-0816	8 Plain washer										X
16-13	4121-5000 (EA1-41171)	Main spring	X	X		X	X	X		X	X	
	4121-5010 (EA13-41171)	Main spring			X				X			
	4121-5600	Main spring										X
16-14	4122-5000 (EA1-41172)	Cover guide	X	X	X	X	X	X	X	X	X	
	4174-5600	Cover guide										X
16-15	4123-5000 (EA1-41181)	Inner tube packing	X	X	X	X	X	X	X	X	X	
	09566-104	10 MM O ring										X
16-16	4124-5000 (EA1-41182)	Upper bridge bolt	X	X	X	X	X	X	X	X	X	
	4124-3210	Upper bridge bolt										X
16-17	09541-111 (EA1-41183)	Plain washer	X	X	X	X	X	X	X	X	X	
	09541-108	Plain washer										X
16-18	4151-5000-CBK (EA1-41310)	Lower bridge	X	X	X	X	X	X	X	X	X	
	4151-3220-CBK	Lower bridge										X
16-19	09511-137 (EA1-41321)	10 x 25 MM hex bolt	X	X	X	X	X	X	X	X	X	
	0131-1028	10 x 28 MM hex bolt										X
16-20	0431-1025	10 MM lock washer	X	X	X	X	X	X	X	X	X	
	0421-0816	8 MM lock washer										X
16-21	4171-5000-CBK (EA1-41410-OB)	Left fork cover black	X			X	X					
	4171-5000-OMB (EA1-41410-OMB)	Left fork cover blue		X	X		X	X				
	4171-5000-FAR	Left fork cover red								X	X	
	4171-5600-MB	Left fork cover blue										X
16-22	4181-5000-CBK (EA1-41420-OB)	Right fork cover black	X			X	X					
	4181-5000-OMB (EA1-41420-OMB)	Right fork cover blue		X	X		X	X				
	4181-5000-FAR	Right fork cover red								X	X	
	4181-5600-MB	Right fork cover blue										X
16-23	4161-5000 (EA1-41511)	Upper bridge	X	X	X	X	X	X	X	X	X	
	4161-3210	Upper bridge										X
16-24	4162-5000 (EA1-41521)	Handle bar holder	X	X	X	X	X	X	X	X	X	
	4162-3200	Handle bar holder										X
16-25	0142-0836 (EA1-41541)	Bolt handle holder	X	X	X	X	X	X	X	X	X	
	09511-130	8 x 35 MM hex bolt										X
16-26	0411-0818	8 MM plain washer	X	X	X	X	X	X	X	X	X	
	0421-0816	8 MM plain washer										X
16-27	4164-5000 (EA1-41551)	Steering head nut	X	X	X	X	X	X	X	X	X	
	09525-105	Steering head nut										X
16-28	4165-5000 (EA1-41552)	Head nut washer	X	X	X	X	X	X	X	X	X	
	09546-102	Wave washer										X
16-29	09590-108 (EA1-41133)	27 MM oil seal	X	X	X	X	X	X	X	X	X	
	09590-109	27 MM oil seal										X
	<u>EXCLUSIVE PARTS FOR BS/100 TRAIL</u>											
	4176-5600	Fork boot band										X
	0311-0508	Pan head screw										X
	0432-0513	5 MM lock washer										X
	4177-5600	Rubber boot										X
	4178-5600	Boot holder upper										X
	4182-5000	Cable clip										X
	0311-0608	6 x 8 MM screw										X
	0431-0615	6 MM lock washer										X



17) FRONT MUDGUARD

INDEX NO.	PART NO.	DESCRIPTION	90cc Without Oil Injection				90cc With Oil Injection				100cc O/I	
			90 STD	90 TR	90 M	90 SP	90 D	90 TR	90 M	90 SP	100 SP	100 TR
17-1	4410-5002-CBK (EAE-42100)	Front fender black	X									
	4410-5012-XCI (EAE-91710)	Front fender chrome				X	X			X	X	
17-2	4432-5000 (EA1-42221)	Protector	X			X	X			X	X	
17-3	0111-0608	6 x 8 MM hex bolt	X			X	X			X	X	
17-4	0411-0613	6 MM flat washer	X			X	X			X	X	
17-5	0431-0615	6 MM lock washer										
17-6	4421-5000-CBK (EA1-42120)	Left stay black	X									
	4421-5010 (EA1-91720)	Left stay chrome				X	X			X	X	
17-7	4422-5000-CBK (EA1-42130)	Right stay black	X									
	4422-5010 (EA1-91730)	Right stay chrome				X	X			X	X	
17-8	4411-5011-XCI (EAT1-42110) (EA13-42110)	Front fender chrome		X	X			X	X			
17-9	4411-5600-XCI	Front fender										X
	4425-5011-XCI (EAT1-42120)	Front fender stay		X	X			X	X			
	4425-5600-XCI	Front fender stay										X
17-10	4428-5010 (EAT1-42131)	Bracket band		X	X			X	X			
17-11	0411-0613	6 MM flat washer		X	X			X	X			X
17-12	0431-0615	6 MM lock washer		X	X			X	X			X
17-13	0111-0614	6 x 14 MM hex bolt		X	X			X	X			X
17-14	4451-5010 (EA1-91751)	Mudflap			X				X			
17-15	4452-5010 (EA1-91752)	Set band			X				X			
17-16	0221-0500	5 MM hex nut			X				X			
17-17	0431-0513	5 MM lock washer			X				X			
17-18	0411-0512	5 MM flat washer			X				X			
17-19	0311-0510	5 x 10 MM screw			X				X			

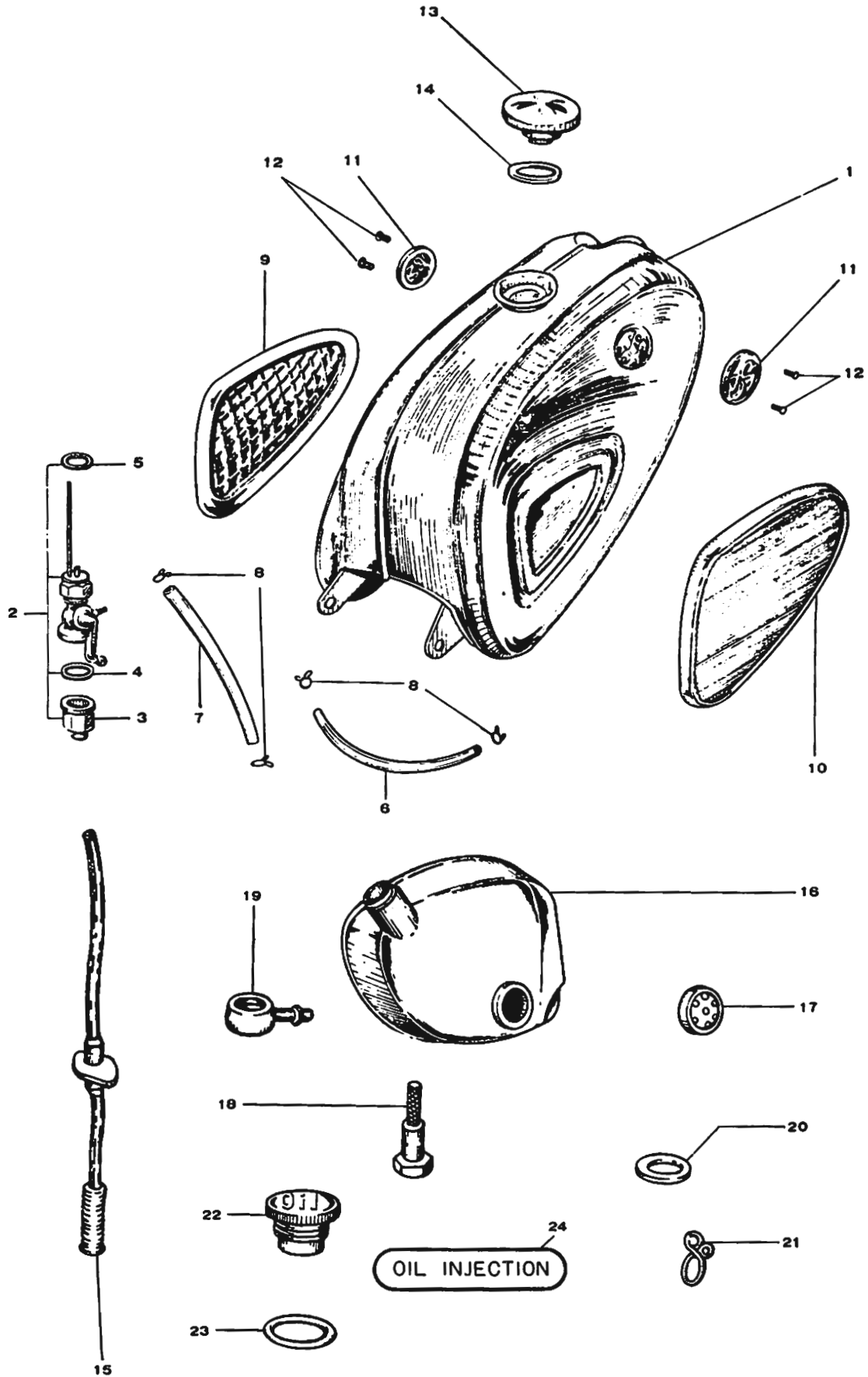




18) REAR FRAME-CHAIN GUARD-  
REAR SUSPENSION

INDEX NO.	PART NO.	DESCRIPTION	90cc Without Oil Injection				90cc With Oil Injection				100cc O/I	
			90 STD	90 TR	90 M	90 SP	90 D	90 TR	90 M	90 SP	100 SP	100 TR
18-1	4810-5000-CBK (EA1-47100-OB)	Rear fork comp black	X				X					
	4810-5000-MB (EA1-47100-OMB)	Rear fork comp blue		X				X				
	4810-3200-MB (GB1-47110-OMB)	Rear fork comp blue			X				X			
	4810-5021-CBK (EA2-47100-OB)	Rear fork comp black				X						
	4810-5021-FAR	Rear fork comp red								X	X	
	4810-5600-CBK	Rear fork comp black										X
18-2	4851-5000 (EA1-47211)	Torsion rubber	X	X	X	X	X	X	X	X	X	X
18-3	4854-5000 (EA1-47212)	Spring brake link	X	X	X		X	X	X			
18-4	4853-3001 (MO3172)	Rubber bushing	X	X	X	X	X	X	X	X	X	
18-5	4852-5000 (EA1-47213)	Cap-rear frame	X	X	X	X	X	X	X	X	X	
18-6	4701-5000-MS (EA1-45100)	Chain case assembly	X				X					
	4751-5020 (EA1-45100)	Half chain case		X				X				
	4751-5030 (EA13-45100)	Half chain case			X				X			
	4751-5010 (EA1-91800)	Half chain case				X				X	X	
	4751-5600-MS	Half chain case										X
18-7	4731-3000 (MO3361)	Cap-chain case	X				X					
18-8	3702-5000 (EA1-67300)	Tandem footrest	X	X		X	X	X		X	X	
	3702-3020 (M4544)	Tandem footrest			X				X			
18-9	3762-5000 (EA1-67322)	Footrest washer	X	X		X	X	X		X	X	
18-10	3763-5000 (EA1-67323)	Footrest pin	X	X		X	X	X		X	X	
18-11	09525-105	10 MM cap nut	X	X	X	X	X	X	X	X	X	X
18-12	09541-107	10 MM washer	X	X	X	X	X	X	X	X	X	X
18-13	0123-1040	10 x 40 MM hex bolt	X	X	X	X	X	X	X	X	X	X
18-14	4901-5000-CBK (EA1-48100-OB)	Rear suspension black	X			X	X					
	4901-5000-MB (EA1-48100-OMB)	Rear suspension blue		X	X			X	X			
	4901-5030-FAR	Rear suspension red								X	X	
	4901-5600-MB	Rear suspension blue										X
18-15	0111-0618	6 x 18 MM hex bolt	X	X	X	X	X	X	X	X	X	X
18-16	0111-0608	6 x 8 MM hex bolt	X	X	X	X	X	X	X	X	X	X
18-17	0231-0800	8 MM hex nut	X	X	X	X	X	X	X	X	X	X
18-18	0411-0818	8 MM flat washer	X	X	X	X	X	X	X	X	X	X
18-19	0411-0613	6 MM flat washer	X	X	X	X	X	X	X	X	X	X
18-20	0551-2020	2.0 x 20 cotter pin	X	X	X	X	X	X	X	X	X	X
18-21	0551-1612	1.6 x 12 cotter pin	X	X	X	X	X	X	X	X	X	X

19) FUEL TANK - FUEL COCK - OIL TANK

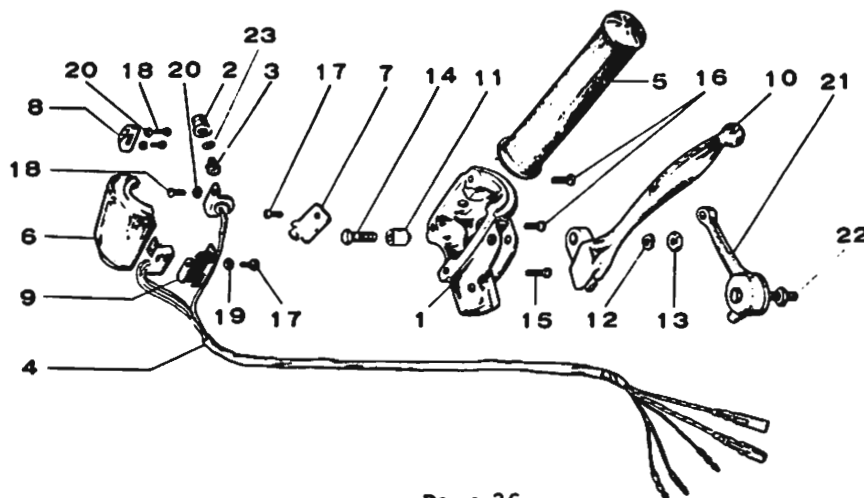


19) FUEL TANK-FUEL COCK-OIL TANK

INDEX NO.	PART NO.	DESCRIPTION	90cc Without Oil Injection				90cc With Oil Injection				100cc O/I	
			90 STD	90 TR	90 M	90 SP	90 D	90 TR	90 M	90 SP	100 SP	100 TR
19-1	5110-5001-CBK (EA1-51110-CBK)	Fuel tank black	X									
	5110-5001-MB (EA1-51110-MB)	Fuel tank blue		X	X							
	5110-5011-CBK (EA2-51110-OB)	Fuel tank black				X						
	5110-3200-CBK	Fuel tank black					X					
	5110-3200-MB	Fuel tank blue						X	X			
	5110-5011-FAR	Fuel tank red								X	X	
	5110-5011-MB	Fuel tank blue										X
19-2	5103-5000 (EA1-52100)	Fuel cock assy	X	X	X	X	X	X	X	X	X	X
19-3	5182-5000 (EA1-52113)	Fuel bowl	X	X	X	X	X	X	X	X	X	X
19-4	5183-3000 (MO7163)	Packing bowl	X	X	X	X	X	X	X	X	X	X
19-5	5184-3000 (MO7166)	Fuel cock gasket	X	X	X	X	X	X	X	X	X	X
19-6	5186-5000 (EA1-52121)	Tank connecting tube	X	X	X	X	X	X	X	X	X	
19-7	5172-5000 (EA1-52122)	Fuel tube	X	X	X	X	X	X	X	X	X	X
19-8	5187-3004 (MO7183)	Clip-fuel tube	X	X	X	X	X	X	X	X	X	X
19-9	5141-5000 (EA1-51211)	Left knee grip	X	X	X							
	5141-5010 (EA2-51211)	Left knee grip				X				X	X	X
	5141-3200 (GB1-51211)	Left knee grip					X	X	X			
19-10	5142-5000 (EA1-51212)	Right knee grip	X	X	X							
	5142-5010 (EA2-51212)	Right knee grip				X				X	X	X
	5142-3200 (GB1-51212)	Right knee grip					X	X	X			
19-11	5143-5000 (EA1-51213)	Side mark	X	X	X		X	X	X			
	5144-5020	"Bridgestone" decal								X	X	X
19-12	0311-0306	3 x 6 MM screw	X	X	X		X	X	X			
19-13	5160-3002 (MO7105)	Tank cap 2-1/4" neck	X	X	X							
	5102-3200 (GB1-51300)	Tank cap 1-5/8" neck	X	X	X	X	X	X	X	X	X	X
19-14	5171-3001 (MO7152)	Packing cap 2-1/4	X	X	X							
	5171-3100 (GA1-51271)	Packing cap 1-5/8	X	X	X	X	X	X	X	X	X	X
19-15	5533-5010	Oil tube C					X	X	X	X	X	X
19-16	5510-5010-CBK	Oil tank black					X					
	5510-5010-MB	Oil tank blue						X	X			
	5510-5010-FAR	Oil tank red								X	X	
	5510-8010-MB	Oil tank blue										X
19-17	5531-8000	Oil gauge					X	X	X	X	X	
	5531-5010	Oil gauge										X
19-18	5532-5010	Oil tank filter					X	X	X	X	X	X
19-19	5534-5010	Union connector					X	X	X	X	X	X
19-20	09564-101	10 MM fiber gasket					X	X	X	X	X	X
19-21	5187-3004	Fuel tube clip					X	X	X	X	X	X
19-22	5560-5010	Oil tank cap					X	X	X	X	X	X
19-23	09566-108	27 MM O ring					X	X	X	X	X	X
19-24	9116-5010	Oil injection label					X	X	X	X	X	X

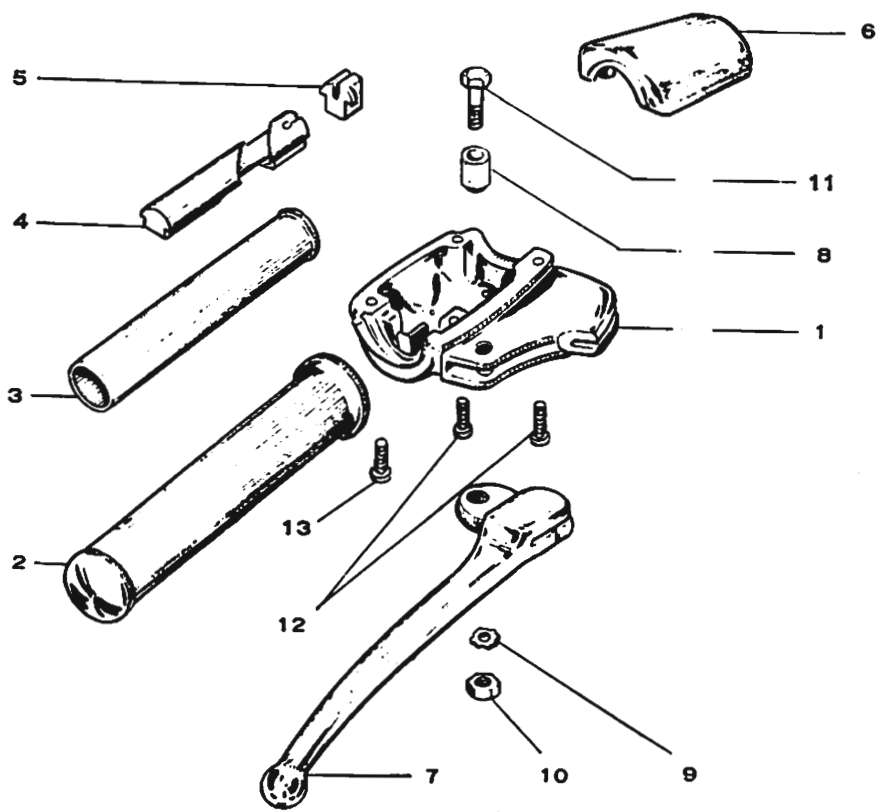
20) CLUTCH GRIP

INDEX NO.	PART NO.	DESCRIPTION	90cc Without Oil Injection				90cc With Oil Injection				100cc O/I	
			90 STD	90 TR	90 M	90 SP	90 D	90 TR	90 M	90 SP	100 SP	100 TR
20-0	6101-5000 (EA1-61100)	Clutch grip assembly	X	X	X	X	X	X	X	X	X	
20-1	6101-5600 6111-5000 (EA1-61111)	Clutch grip assembly Lever holder left	X	X	X	X	X	X	X	X	X	X
	6111-5600	Lever holder left										X
	6126-5600	Wire adjuster										X
	6127-5600	Adjuster lock nut										X
20-2	6113-3100 (GA1-61113)	Horn button	X	X	X	X	X	X	X	X	X	X
20-3	6114-3100 (GA1-61114)	Spring-horn button	X	X	X	X	X	X	X	X	X	X
20-4	6115-5000 (EA1-61120)	Wire left assembly	X	X	X	X	X	X	X	X	X	X
20-5	6123-3100 (GA1-61130)	Left grip rubber	X	X	X	X	X	X	X	X	X	
	6123-5600	Left grip rubber										X
20-6	6121-5000 (EA1-61141)	Holder cover left	X	X	X	X	X	X	X	X	X	X
20-7	6116-3100 (GA1-61142)	Wire clamp left	X	X	X	X	X	X	X	X	X	X
20-8	6119-5000 (GA1-61143)	Knob-switch	X	X	X	X	X	X	X	X	X	X
20-9	6117-3100 (GA1-61144)	Switch clamp left	X	X	X	X	X	X	X	X	X	X
20-10	6122-3011 (M45212)	Clutch lever	X	X	X	X	X	X	X	X	X	X
20-11	6124-3100 (GA1-61261)	Collar-lever pivot	X	X	X	X	X	X	X	X	X	X
20-12	0451-0510 (GA1-61261)	Toothed washer	X	X	X	X	X	X	X	X	X	X
20-13	0221-0500	5 MM hex nut	X	X	X	X	X	X	X	X	X	X
20-14	0111-0518	5 x 18 MM hex bolt	X	X	X	X	X	X	X	X	X	X
20-15	0311-0518	5 x 18 MM screw	X	X	X	X	X	X	X	X	X	X
20-16	0311-0514	5 x 14 MM screw	X	X	X	X	X	X	X	X	X	X
20-17	0311-0306	3 x 6 MM screw	X	X	X	X	X	X	X	X	X	X
20-18	0361-0206	2 x 6 MM screw	X	X	X	X	X	X	X	X	X	X
20-19	0431-0307	3 MM lock washer	X	X	X	X	X	X	X	X	X	X
20-20	0431-0205	2 MM lock washer	X	X	X	X	X	X	X	X	X	X
20-21	6103-5000 (EA1-61170)	Starter lever assy	X	X	X	X	X	X	X	X	X	X
20-22	09511-119	5 x 36 MM hex bolt	X	X	X	X	X	X	X	X	X	X
20-23	6112-3100	Horn contact	X	X	X	X	X	X	X	X	X	X



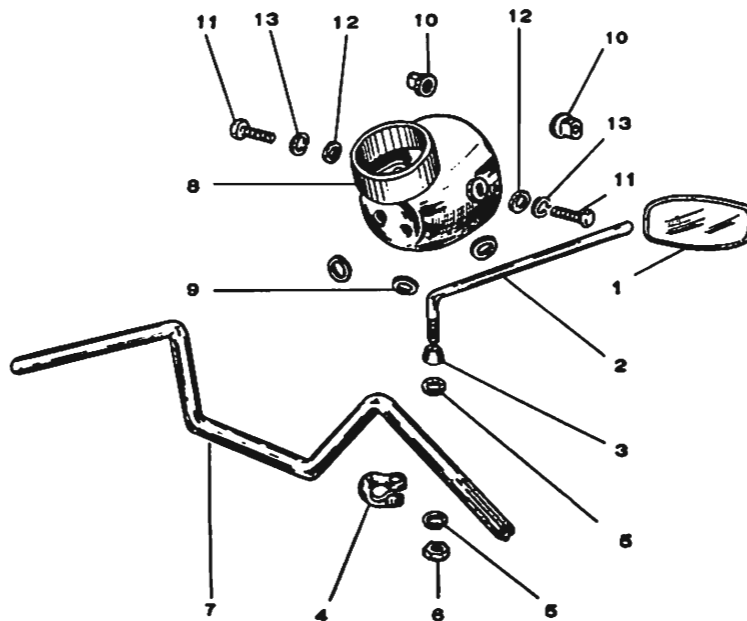
21) THROTTLE GRIP

INDEX NO.	PART NO.	DESCRIPTION	90cc Without Oil Injection				90cc With Oil Injection				100cc O/I	
			90 STD	90 TR	90 M	90 SP	90 D	90 TR	90 M	90 SP	100 SP	100 TR
21-0	6104-5020 (EA1-61200)	Throttle grip assy	X	X	X	X	X	X	X	X	X	
21-1	6104-5600 6141-3101 (GA1-61211)	Throttle grip assy Lever holder right	X	X	X	X	X	X	X	X	X	X
	6141-5600	Lever holder right										X
	6126-5600	Wire adjuster										X
	6127-5600	Adjuster lock nut										X
21-2	6153-3100 (GA1-61230)	Right grip rubber	X	X	X	X	X	X	X	X	X	
	6153-5600	Right grip rubber										X
21-3	6154-3100 (GA1-61231)	Throttle grip pipe	X	X	X	X	X	X	X	X	X	
21-4	6155-3100 9GA1-61232)	Sliding shoe	X	X	X	X	X	X	X	X	X	X
21-5	6156-3100 (GA1-61233)	Cable stopper	X	X	X	X	X	X	X	X	X	X
21-6	6151-5020 (EAE-61241)	Right holder cover	X	X	X	X	X	X	X	X	X	X
21-7	6152-3100 (GA1-61260)	Front brake lever	X	X	X	X	X	X	X	X	X	X
21-8	6124-3100 (GA1-61261)	Collar-lever pivot	X	X	X	X	X	X	X	X	X	X
21-9	0451-0510	Toothed washer	X	X	X	X	X	X	X	X	X	X
21-10	0221-0500	5 MM hex nut	X	X	X	X	X	X	X	X	X	X
21-11	0111-0518	5 x 18 MM hex bolt	X	X	X	X	X	X	X	X	X	X
21-12	0311-0518	5 x 18 MM screw	X	X	X	X	X	X	X	X	X	X
21-13	0311-0514	5 x 14 MM screw	X	X	X	X	X	X	X	X	X	X



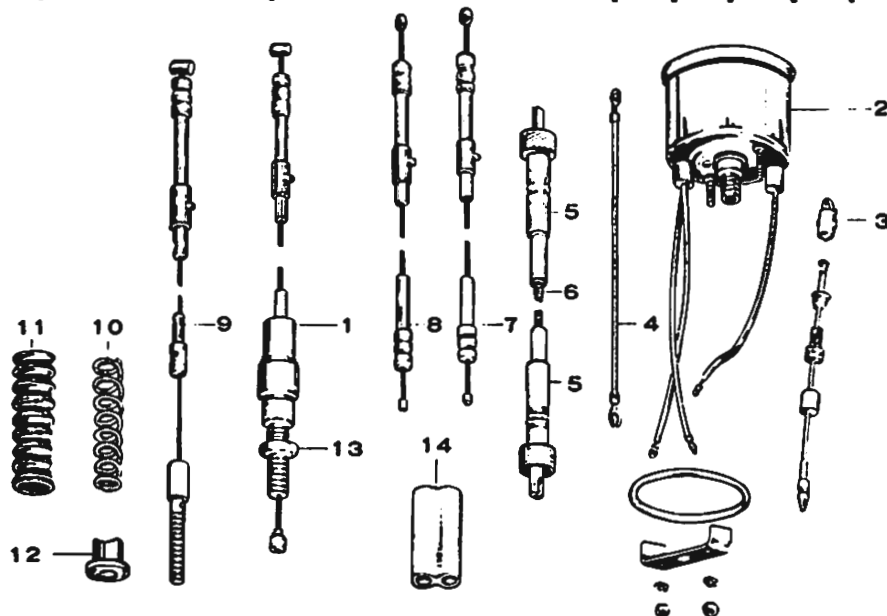
22) HEAD COVER - HANDLE BAR

INDEX NO.	PART NO.	DESCRIPTION	90cc Without Oil Injection				90cc With Oil Injection				100cc O/I	
			90 STD	90 TR	90 M	90 SP	90 D	90 TR	90 M	90 SP	100 SP	100 TR
22-0	4601-3101 (GA1-44100)	Rear view mirror	X	X	X	X	X	X	X	X	X	
22-1	4610-3100 (GA1-44110)	Mirror reflector	X	X	X	X	X	X	X	X	X	
22-2	4621-3101 (GA1-44121)	Mirror stay	X	X	X	X	X	X	X	X	X	
22-3	GA1-44122	Set nut	X	X	X	X						
22-4	4622-3102 (GA1-44140)	Set band	X	X	X	X	X	X	X	X	X	
22-5	0431-0820	8 MM lock washer	X	X	X	X	X	X	X	X	X	
22-6	0231-0800	8 MM hex nut	X	X	X	X	X	X	X	X	X	
22-7	4511-5000 (EA1-43111)	Handle bar	X	X		X	X	X		X	X	
	4511-5040 (EA13-43111)	Handle bar			X				X			X
22-8	8111-5000-CBK (EA1-81110-OB)	Head cover plastic Black	X			X						
	8111-5000-MB (EA1-81110-OMB)	Head cover plastic Blue		X	X							
	8111-5020-CBK (EAE-81111-OB)	Head cover metal Black	X			X	X					
	8111-5020-MB (EAE-81111-OMB)	Head cover metal Blue		X	X			X	X			X
	8111-5020-FAR	Head cover metal red								X	X	
22-9	8125-5000 (EA1-81112)	Rubber grommet	X	X	X	X						
	8125-5020	Rubber grommet	X	X	X	X	X	X	X	X	X	X
22-10	8126-5000 (EA1-81113)	Head cover set nut	X	X	X	X						
22-11	0111-0816	8 x 16 MM hex bolt	X	X	X	X	X	X	X	X	X	X
22-12	0411-0818	8 MM flat washer	X	X	X	X	X	X	X	X	X	X
22-13	0431-0820	8 MM lock washer	X	X	X	X	X	X	X	X	X	X



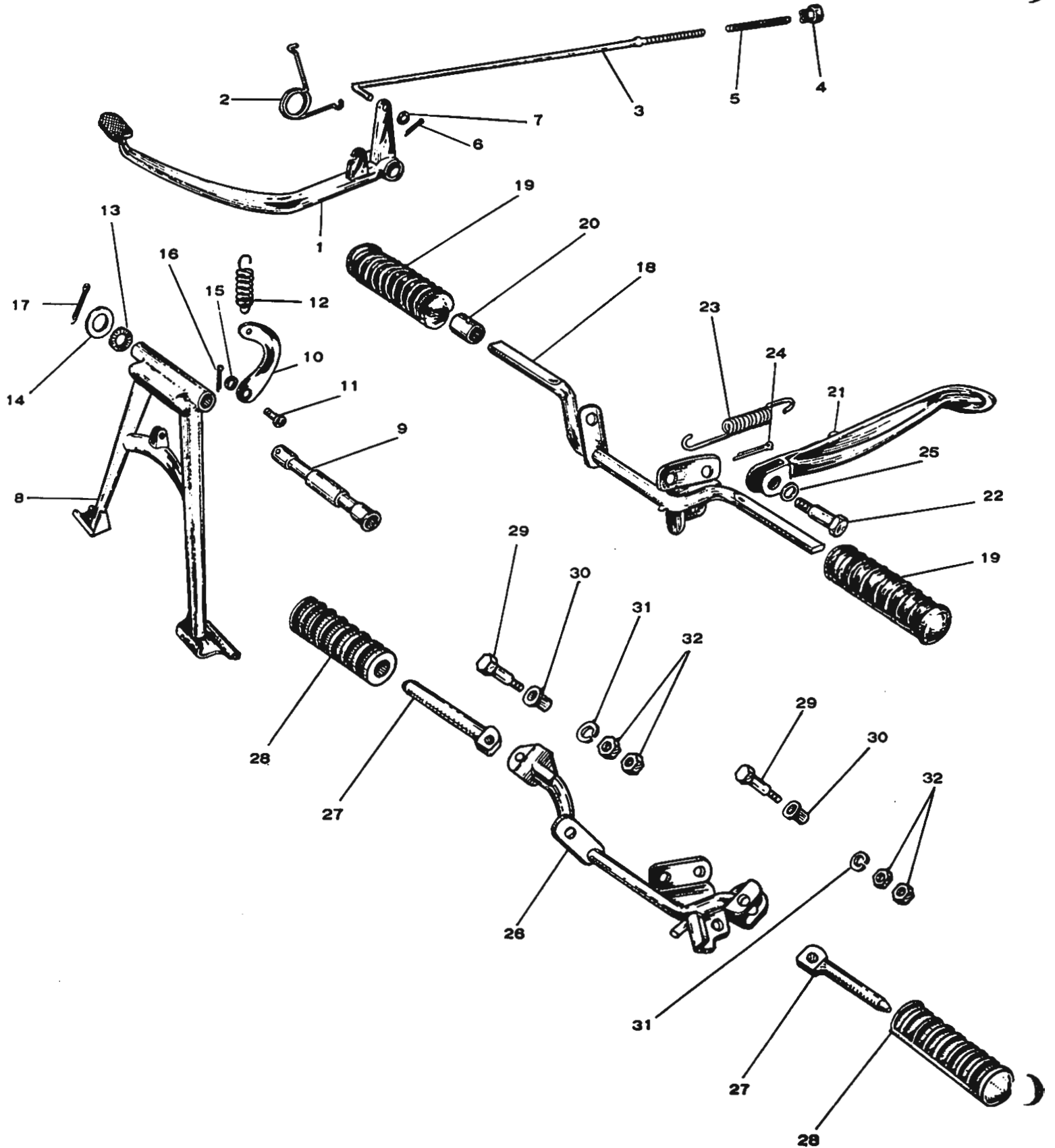
23) SPEEDOMETER CABLES

INDEX NO.	PART NO.	DESCRIPTION	90cc Without Oil Injection				90cc With Oil Injection				100cc O/I	
			90 STD	90 TR	90 M	90 SP	90 D	90 TR	90 M	90 SP	100 SP	100 TR
23-1	6186-5000 (EA1-22240)	Clutch cable	X	X	X	X						
	6186-5040	Clutch cable					X	X	X	X	X	
	6186-5600	Clutch cable										X
23-2	8401-5011 (EAE-61300)	Speedometer	X	X	X	X						
	8401-5030	Speedometer					X	X	X	X	X	X
	8429-5010	Speedometer set spring (for metal head cover)	X	X	X	X	X	X	X	X	X	X
23-3	8424-3010 (M25315)	Bulb-speedometer	X	X	X	X	X	X	X	X	X	X
23-4	8834-5000 (EA1-61321)	Earth wire	X	X	X	X	X	X	X	X	X	X
23-5	6171-5000 (EA1-61510)	Speedometer cable	X	X	X	X	X	X	X	X	X	X
23-6	9411-5000 (EA1-61512)	Inner cable	X	X	X	X	X	X	X	X	X	X
23-7	6176-5000 (EA1-61520)	Throttle cable	X	X	X							
	6176-5040 (EA24-61520)	Throttle cable				X						
	6176-5071	Throttle cable					X	X	X			
23-8	6176-5081	Throttle cable								X	X	X
	6178-5000 (EA1-61530)	Starter cable	X	X	X		X	X	X			
	6178-5030 (EA2-61530)	Starter cable				X				X	X	X
23-9	6181-5000 (EA1-61541)	Brake cable	X	X	X	X	X	X	X	X		
	6181-5600	Brake cable										X
23-10	6182-5000 (EA1-61542)	Cable return spring	X	X	X	X	X	X	X	X	X	X
23-11	6183-5000 (EA1-61543)	Rubber boot	X	X	X	X	X	X	X	X	X	X
23-12	3832-3000 (MO4332)	Brake adjusting nut	X	X	X	X	X	X	X	X	X	X
23-13	0231-0800	8 MM hex nut	X	X	X	X	X	X	X	X	X	X
23-14	6189-5000 (EA1-61562)	Cable clamp										





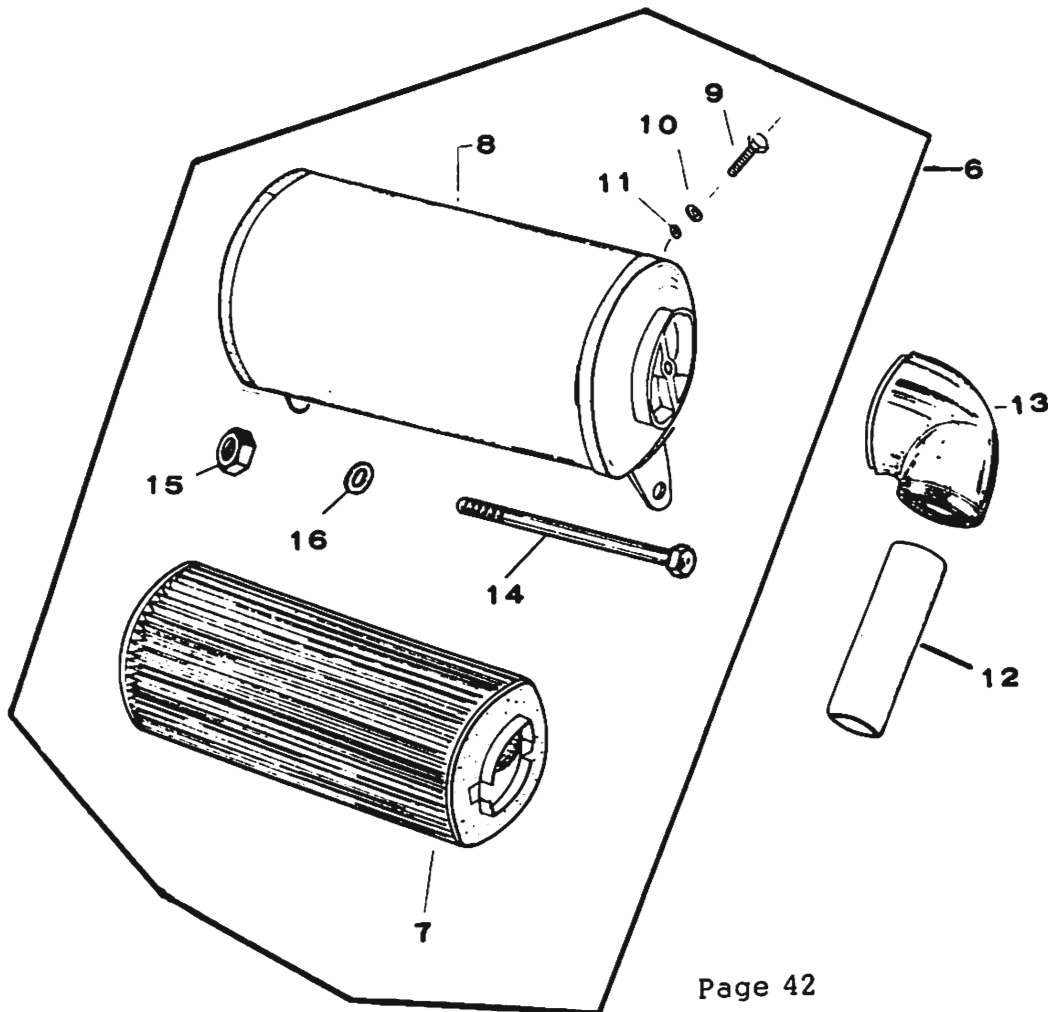
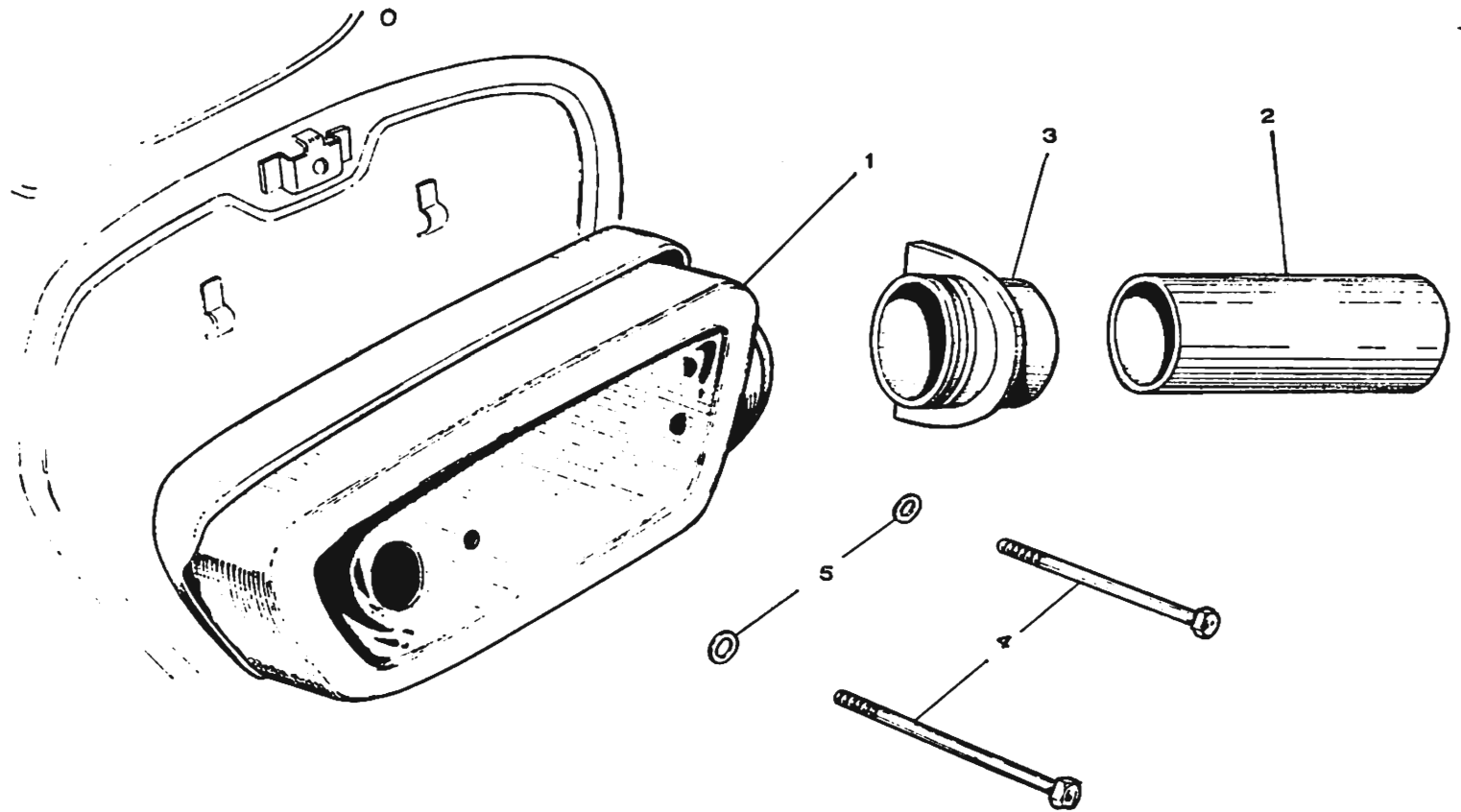
24) BRAKE PEDAL - STAND - FOOTREST - SIDE STAND



24) BRAKE PEDAL STAND FOOT REST SIDE STAND

Bridgestonemotorcycleparts.com

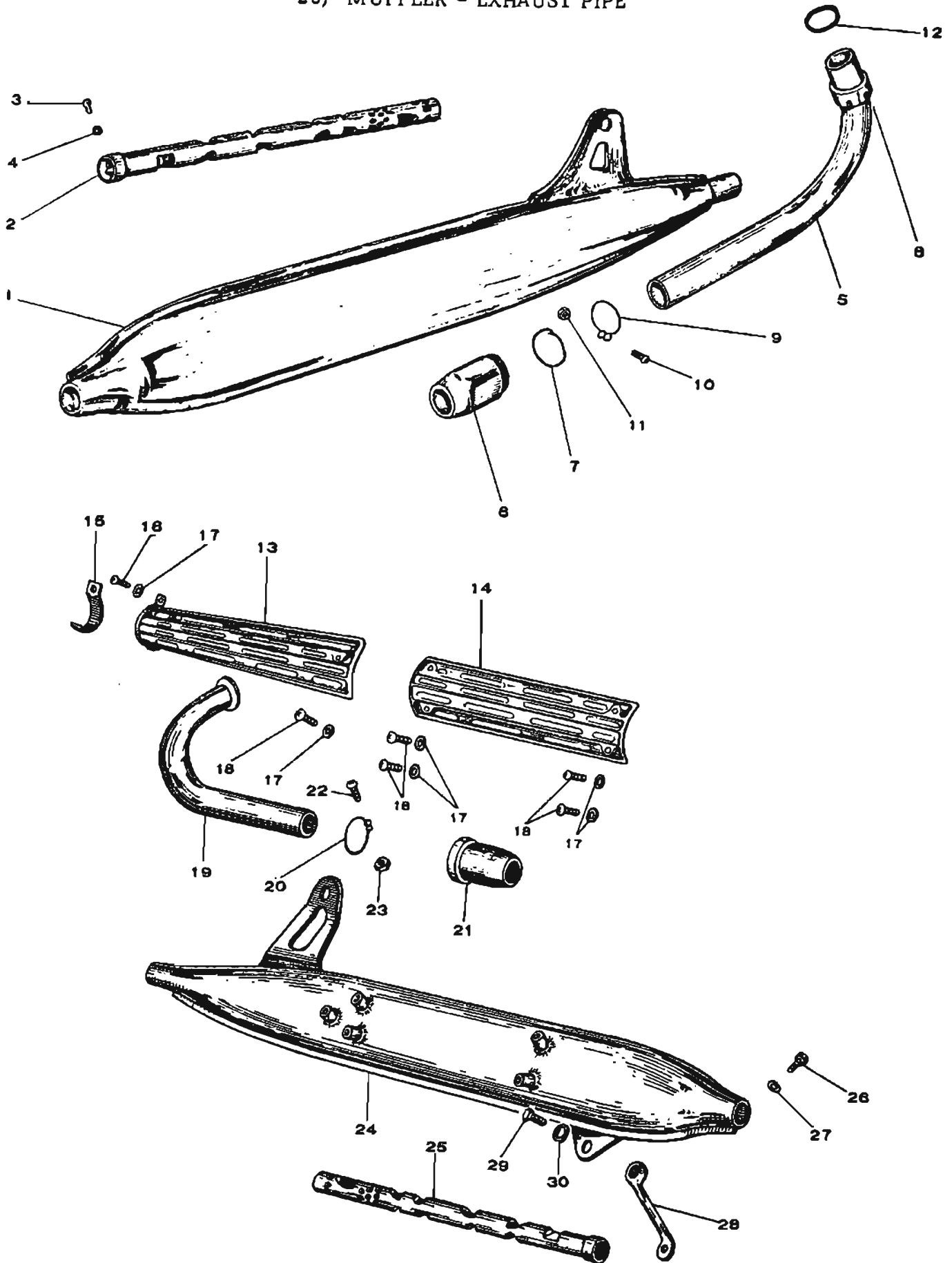
INDEX NO.	PART NO.	DESCRIPTION	90cc Without Oil Injection				90cc With Oil Injection				100cc O/I	
			90 STD	90 TR	90 M	90 SP	90 D	90 TR	90 M	90 SP	100 SP	100 TR
24-1	3810-5001 (EA1-61610)	Brake pedal	X	X		X						
	3810-5030	Brake pedal					X	X		X	X	
	3810-5021 (EA13-61610)	Brake pedal			X				X			
	3810-5600	Brake pedal										X
24-2	3821-5000 (EA1-61621)	Return spring	X	X	X	X	X	X	X	X	X	
	3821-5600	Return spring										X
24-3	3831-3001 (MO4331)	Brake rod	X	X	X	X	X	X	X	X	X	
	3831-5600	Brake rod										X
24-4	3832-3000 (MO4332)	Adjusting nut	X	X	X	X	X	X	X	X	X	X
24-5	3833-3000 (MO4333)	Spring - brake rod	X	X	X	X	X	X	X	X	X	X
24-6	0551-1612	1.6 x 12 cotter pin	X	X	X	X	X	X	X	X	X	X
24-7	0411-0613	6 mm flat washer	X	X	X	X	X	X	X	X	X	X
24-8	3610-5000-CBK (EA1-66410)	Main stand	X	X	X	X	X	X	X	X	X	
24-9	3621-3200 (GB1-66421)	Stand tube	X	X	X	X	X	X	X	X	X	
24-10	3622-5000 (EA1-66422)	Spring guide	X	X	X	X	X	X	X	X	X	
24-11	3623-5000 (EA1-66423)	Pin-spring guide	X	X	X	X	X	X	X	X	X	
24-12	3624-5000 (EA1-66424)	Spring-stand	X	X	X	X	X	X	X	X	X	
24-13	09546-101	16MM wave washer	X	X	X	X	X	X	X	X	X	
24-14	09541-103 (MO8332)	15 MM plain washer	X	X	X	X	X	X	X	X	X	
24-15	0411-0613	6 MM flat washer	X	X	X	X	X	X	X	X	X	
24-16	0551-1612	1.6 x 12 cotter pin	X	X	X	X	X	X	X	X	X	
24-17	0551-3028	3 x 28 cotter pin	X	X	X	X	X	X	X	X	X	
24-18	3710-5000-CBK (EA1-67110)	Foot rest shaft (Rigid type)	X			X	X			X	X	
24-19	3721-3002 (MO8421)	Footrest rubber	X			X	X			X	X	
24-20	3725-3001 (MO8422)	Rubber stopper	X			X	X			X	X	
24-21	3650-5000 (EA1-67210)	Side stand	X	X	X	X	X	X	X	X	X	
	3650-5600	Side stand										X
24-22	3662-5000 (EA1-67211)	Bolt-side stand	X	X	X	X	X	X	X	X	X	
	3662-8000	Bolt-side stand										X
24-23	3663-5000 (EA1-67212)	Spring side stand	X	X	X	X	X	X	X	X	X	
	3663-9000	Spring-side stand										X
24-24	0551-1612	1.6 x 12 cotter pin	X	X	X	X	X	X	X	X	X	
24-25	09541-107 (EA1-31432)	10 MM washer	X	X	X	X	X	X	X	X	X	
24-26	3710-5020-CBK (EA13-67110)	Footrest shaft (Folding type)		X	X			X	X			
24-27	3711-5010 (EA13-67121)	Rubber shaft		X	X			X	X			
24-28	3721-3002 (MO8421)	Footrest rubber		X	X			X	X			
24-29	3723-5010 (EA13-67124)	Bolt-footrest		X	X			X	X			
24-30	3722-5010 (EA13-67122)	Space washer		X	X			X	X			
24-31	0411-0818	8 MM flat washer		X	X			X	X			
24-32	0231-0800	8 MM hex nut		X	X			X	X			



25) AIR CLEANER

INDEX NO.	PART NO.	DESCRIPTION	90cc Without Oil Injection				90cc With Oil Injection				100cc O/I	
			90 STD	90 TR	90 M	90 SP	90 D	90 TR	90 M	90 SP	100 SP	100 TR
25-1	6211-5000 (EA1-62110)	Air cleaner element (Old style)	X	X	X							
	6211-5001	Air cleaner element (New style)	X	X	X							
	6211-5010	Air cleaner element				X						
25-2	6211-5030	Air cleaner element					X	X	X	X	X	
	6241-5000 (EA1-62121)	Air pipe	X	X	X							
	6241-5010 (EA2-62121)	Air pipe				X						
25-3	6241-5020	Air pipe					X	X	X	X		
	6242-5000 (EA1-62122)	Joint rubber	X	X	X							
	6242-5010 (EA2-62122)	Joint rubber				X						
25-4	6242-5020	Joint rubber					X	X	X	X	X	
	0111-0665	6 x 65 MM hex bolt	X	X	X	X						
	09531-102	6 x 6 MM screw					X	X	X	X	X	
25-5	0411-0613	6 MM flat wahser	X	X	X	X	X	X	X	X	X	
25-6	6201-5600	Air cleaner assy										X
25-7	6211-5600	Element-air cleaner										X
25-8	6221-5600	Cleaner case										X
25-9	0311-0408	4 x 8 MM screw										X
25-10	0411-0410	4 MM flat washer										X
25-11	0431-0410	4 MM lock washer										X
25-12	6241-5600	Air pipe										X
25-13	6242-8000	Joint-air pipe										X
25-14	09511-133	8x108 hex bolt										X
25-15	0211-0800	8 MM hex nut										X
25-16	0411-0818	8 MM flat washer										X

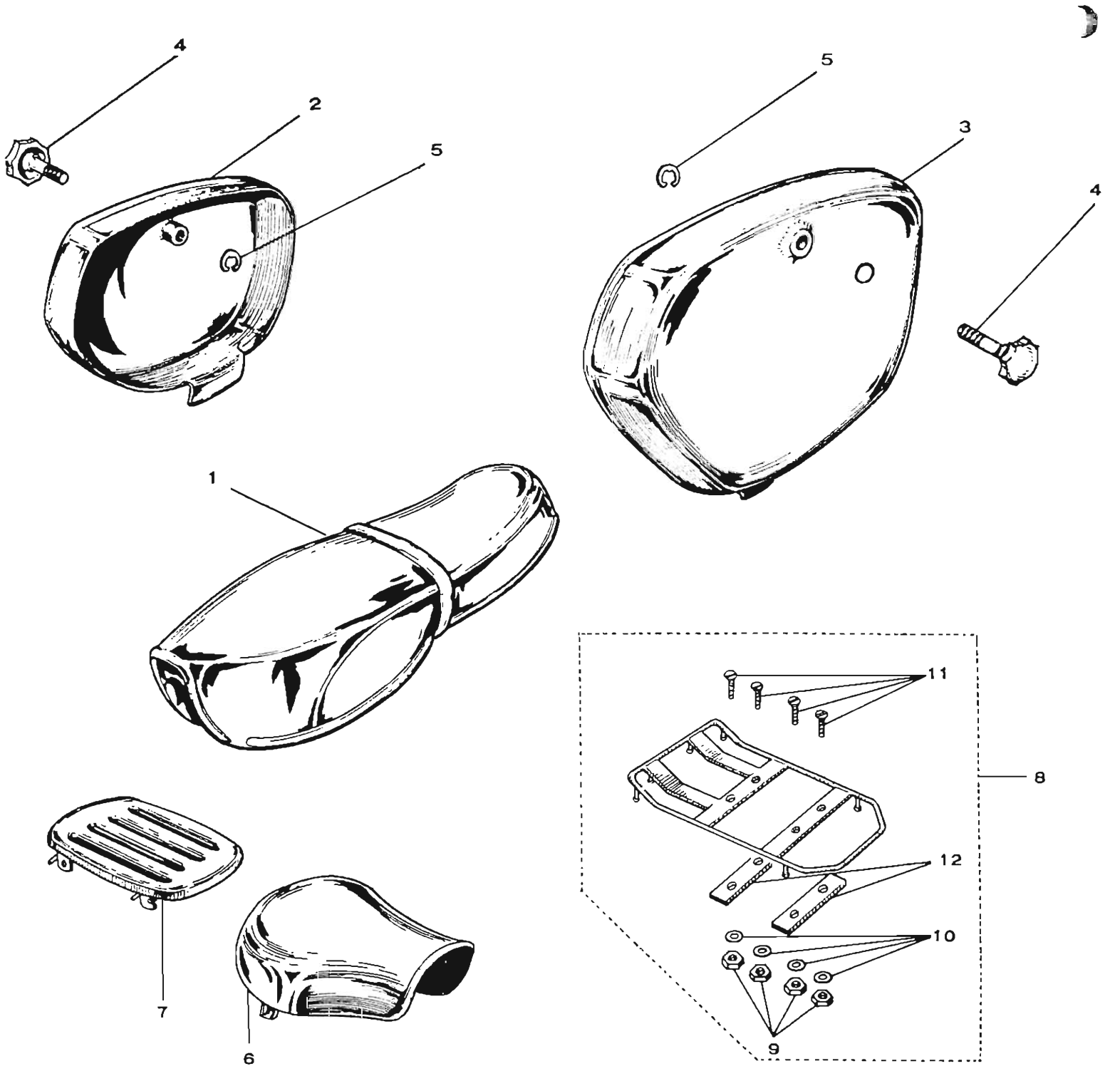
26) MUFFLER - EXHAUST PIPE



26) MUFFLER EXHAUST PIPE [bridgestonemotorcyclesparts.com](http://bridgestonemotorcyclesparts.com)

INDEX NO.	PART NO.	DESCRIPTION	90cc Without Oil Injection				98cc With Oil Injection				100cc O/I	
			90 STD	90 TR	90 M	90 SP	90 D	90 TR	90 M	90 SP	100 SP	100 TR
26-1	6301-5000 (EA1-63300)	Muffler assembly	X	X								
	6301-5020 (EA2-63300)	Muffler assembly				X				X	X	
	6301-5030	Muffler assembly					X	X				
26-2	6320=5000 (EA1-63313)	Inner pipe	X	X								
	6320-5010 (EA2-63313)	Inner pipe				X						
	6320-5030	Inner pipe					X	X				
26-3	0121-0506	5x6 MM hex bolt	X	X	X		X	X				
26-4	0411-0512	5 MM flat washer	X	X	X		X	X				
26-5	6351-5030 (EA1-63111)	Exhaust pipe	X	X			X	X				
	6351-5010	Exhaust pipe				X				X		
	6351-5400	Exhaust pipe									X	
26-6	6362-5000 (EA1-63121)	Rubber joint	X	X		X	X	X		X	X	
26-7	6364-5000 (EA1-63122)	Ring-rubber joint	X	X		X	X	X		X	X	
26-8	6361-5000 (EA1-63123)	Clamp nut	X	X	X		X	X	X			
	6361-3201 (GB1-63123)	Clamp nut				X				X		
	6361-5400	Clamp nut									X	
26-9	6363-5000 (EA1-63124)	Stopper-rubber joint	X	X	X	X	X	X	X	X	X	
26-10	0311-0412	4x12 MM screw	X	X	X	X	X	X	X	X	X	
26-11	0211-0400	4 MM hex nut	X	X	X	X	X	X	X	X	X	
26-12	1142-5000 (EA1-11412)	Exhaust gasket	X	X	X	X	X	X	X	X		
	1142-5400	Exhaust gasket									X	X
26-13	6332-3210	Front protector (Left)							X			X
	6332-5010	Front protector (Right)			X							X
26-14	6333-5010	Rear protector			X				X			X
26-15	6334-5010	Protector bracket (Right)			X							X
26-16	0311-0610	6x10 MM screw			X							X
26-17	0411-0613	6 MM plain washer			X				X			X
26-18	0311-0606	6x6 MM screw			X				X			X
	09531-102	6 MM screw			X							X
26-19	6351-5040 (EA13-63111)	Exhaust pipe right			X							
	6351-5050	Exhaust pipe left							X			
	6351-5600	Exhaust pipe										X
26-20	6364-5000 (EA1-63122)	Ring-rubber joint			X				X			X
26-21	6362-5000 (EA1-63121)	Rubber joint			X				X			
26-22	0311-0414	4x14 MM screw			X				X			X
26-23	0211-0400	4 MM hex nut			X				X			X
26-24	6301-5010 (EA13-63310)	Muffler right (Up swept)			X					X		
	6301-5041	Muffler left (Up swept)							X			
	6301-5600	Muffler										X
26-25	6320-5000 (EA1-63313)	Inner pipe			X							
	6320-5020	Inner pipe							X			
	6320-5600	Inner pipe										X
26-26	0121-0506	5x6 MM hex bolt			X				X			X
26-27	0411-0512	5 MM plain washer			X				X			X
26-28	6335-5010 (EA13-63331)	Muffler stay right			X							
	6335-5021	Muffler stay left							X			
	6335-5600	Muffler stay										X
26-29	0111-0614	6x14 MM hex bolt			X				X			X
26-30	0411-0613	6 MM plain washer			X				X			X

27) TANDEM SEAT - SIDE COVERS

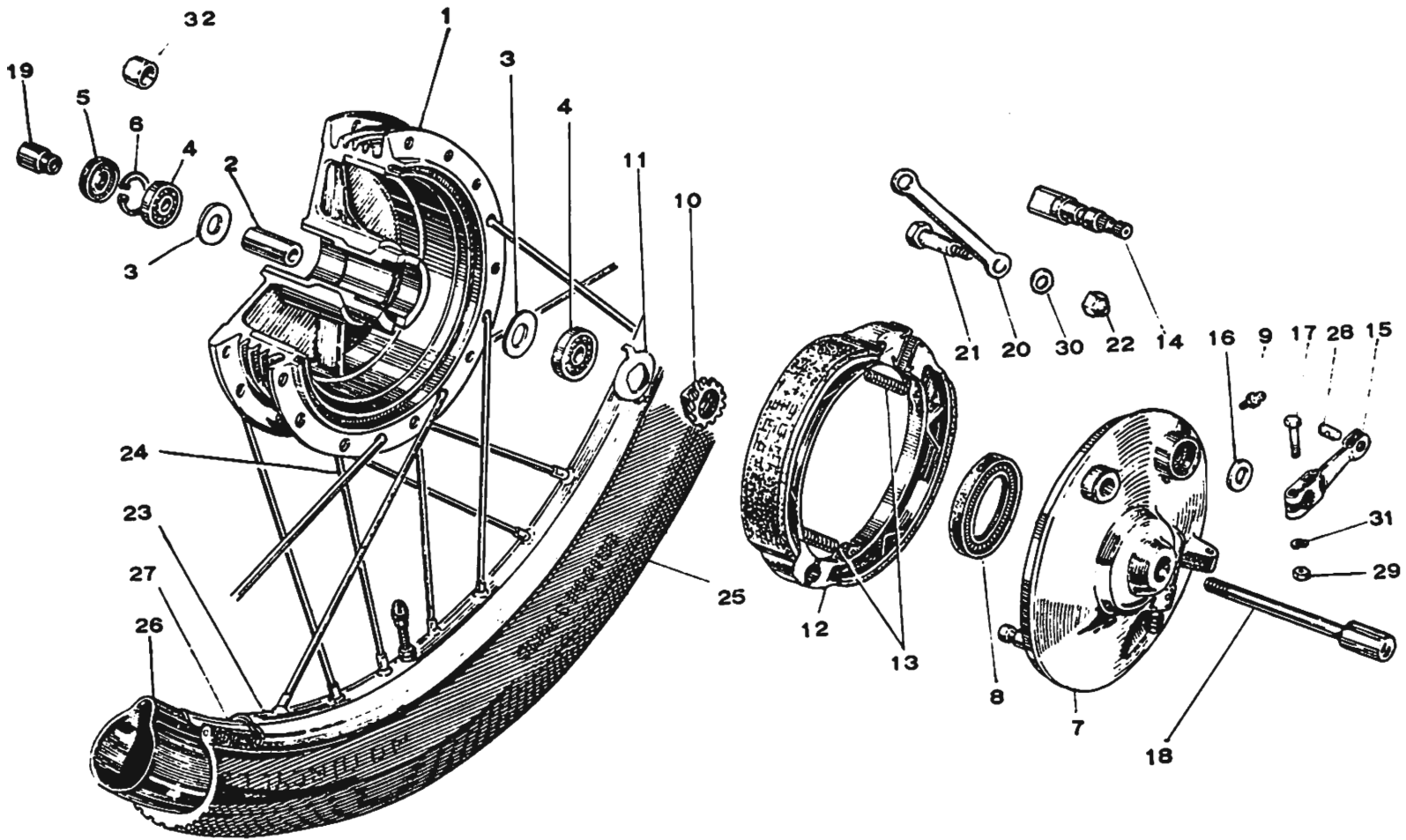


27) SEAT - SIDE COVER

INDEX NO.	PART NO.	DESCRIPTION	90cc Without Oil Injection				90cc With Oil Injection				100cc O/I	
			90 STD	90 TR	90 M	90 SP	90 D	90 TR	90 M	90 SP	100 SP	100 TR
27-1	6460-5030	Tandem seat	X	X			X	X				
	(EA1-91100)											
	6460-5040	Tandem seat								X		
	6430-5030	Tandem seat				X						
	(EA24-64100)											
	6460-5400										X	
27-2	6821-3210-CBK	Side cover right black	X									
	(EA1-68121-0B)											
	6821-3220-OMB	Side cover right blue		X	X							
	(EA1-68121-OMB)											
	6821-5040-CBK	Side cover right black				X						
	(EA2-68121-0B)											
	6821-5050-CBK	Side cover right black					X					
	6821-5050-OMB	Side cover right blue						X	X			
	6821-5050-FAR	Side cover right red								X	X	
27-3	6811-5030-CBK	Side cover left black	X			X	X					
	(EA1-68111-0B)											
	6811-5030-OMB	Side cover left blue		X	X			X	X			
	(EA1-68111-MB)											
	6811-3211-OMB	Side cover left blue for left up muffler							X			
	6811-5030-FAR	Side cover left, red								X	X	
	6811-5600-MB	Side cover left, blue										X
27-4	6831-5000	Knob-side cover	X	X	X	X						
	(EA1-68112)											
	6831-5010	Knob-side cover					X	X	X	X	X	
	6831-9000	Knob-side cover										X
	6833-9000	Cover stopper										X
27-5	6832-3001	Circlip-knob	X	X	X	X	X	X	X	X	X	
	(MO8633)											
	6815-5010	90SP cover ornament								X		
	6815-5030	90 D cover ornament					X					
	6815-5040	90 T cover ornament						X				
	6815-5050	90 M cover ornament							X			
	6815-5400	100 SP cover ornament								X		
	6815-5600	100 TR cover ornament										X
27-6	6410-5020	Single seat			X					X		
	(EA1-64100)											
	6430-5600	Single seat										X
27-7	6510-5000-MB	Carrier assembly, blue			X					X		
	(EA1-65100)											
27-8	6541-5030	Chrome carrier			X					X		
	(EA13-91310)											
27-9	0231-0800	8 MM hex nut			X					X		
27-10	0431-0820	8 MM lock washer			X					X		
27-11	0381-0830	8 x 30 MM screw			X					X		
27-12	6548-5010											
	(EA11-91311)											
27-13	EA1-91150	Rear seat 90M			X					X		
	6531-5021	Luggage carrier					X	X		X		
	6531-3220	Luggage carrier	X	X	X							



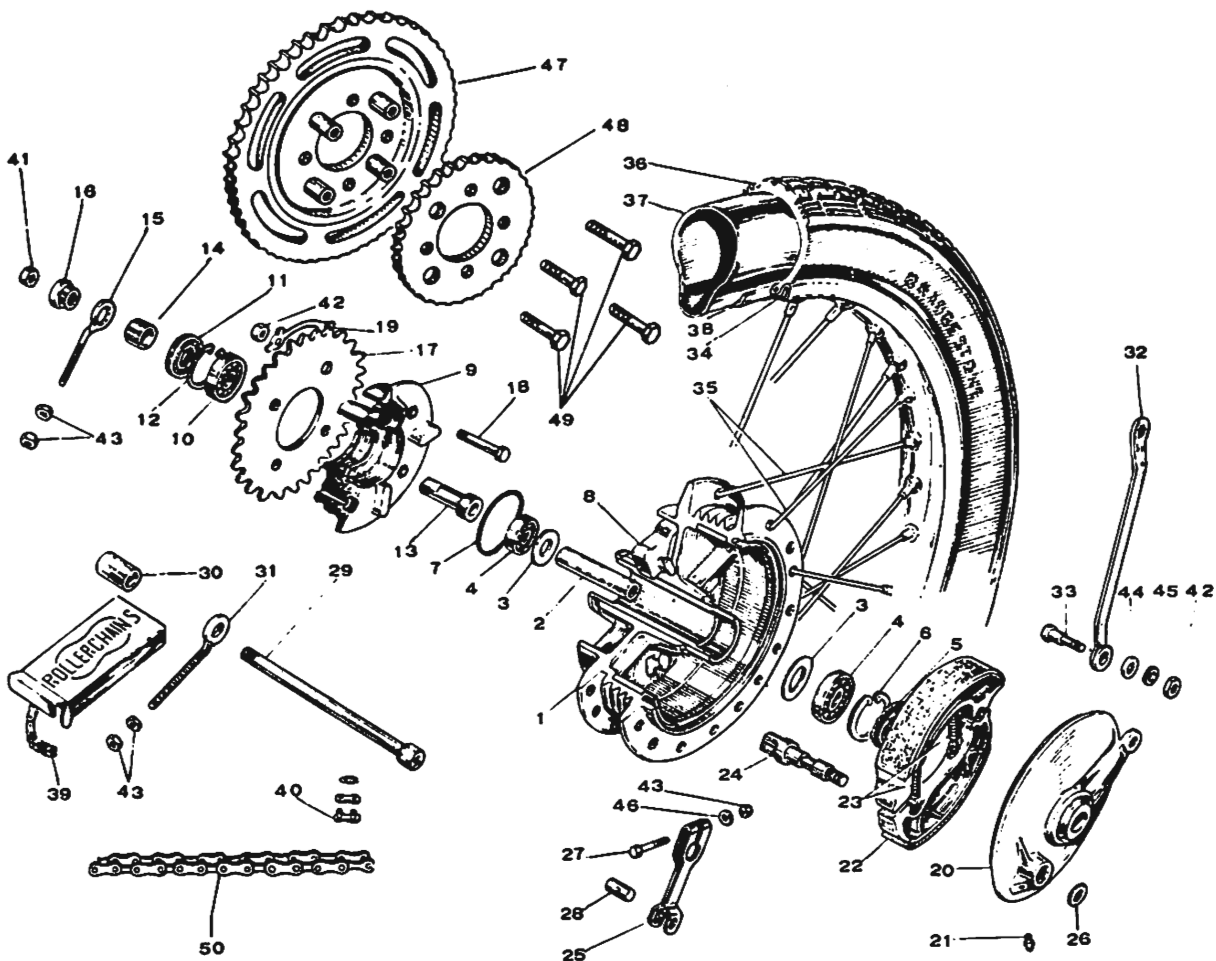
28) FRONT WHEEL



28) FRONT WHEEL

INDEX NO.	PART NO.	DESCRIPTION	90cc Without Oil Injection				90cc With Oil Injection				100cc O/I	
			90 STD	90 TR	90 M	90 SP	90 D	90 TR	90 M	90 SP	100 SP	100 TR
28-0	7101-5000	Front wheel	X	X	X	X	X	X	X	X	X	
	7101-5600	Front wheel										X
28-1	7111-5002	Front drum	X	X	X	X	X	X	X	X	X	
	7111-3210	Front drum										X
28-2	7114-5000	Center pipe	X	X	X	X	X	X	X	X	X	
	(EA1-71114)											
	7114-3110	Center pipe										X
28-3	7115-3000	Center pipe support	X	X	X	X	X	X	X	X	X	X
	(MO4119)											
28-4	07-6201-03	Ball bearing	X	X	X	X	X	X	X	X	X	X
	(EA1-71116)											
28-5	09590-104	20-32-5 Oil seal	X	X	X	X	X	X	X	X	X	X
	(GA3-71117)											
28-6	EA1-71118	Snap ring	X	X	X	X						
28-7	7130-5002	Panel before 12Q	X	X	X	X						
	7130-5003	Panel after 12Q	X	X	X	X	X	X	X	X	X	
	7130-5600	Front panel										X
28-8	09590-105	40-52-8 Oil seal	X	X	X	X	X	X	X	X	X	X
	(GA3-71134)											
28-9	7134-3002	Grease nipple	X	X	X	X	X	X	X	X	X	X
	(MO4137)											
28-10	7148-5001	Speedometer gear	X	X	X	X	X	X	X	X	X	X
	(EA1-71141)											
28-11	7149-3110	Gear connector	X	X	X	X	X	X	X	X	X	X
	(GA3-71142)											
28-12	7140-5000	Brake shoe	X	X	X	X	X	X	X	X	X	
	(EA1-71150)											
	7140-3110	Brake shoe										X
28-13	7145-3110	Spring-brake shoe	X	X	X	X	X	X	X	X	X	X
	(GA3-71161)											
28-14	7151-3110	Brake cam	X	X	X	X	X	X	X	X	X	X
	(GA3-71171)											
28-15	7353-3004	Brake lever	X	X	X	X	X	X	X	X	X	X
	(MO4251)											
28-16	7152-3001	Dust seal	X	X	X	X	X	X	X	X	X	X
	(M04248)											
28-17	0121-0628	6x28 MM hex bolt	X	X	X	X	X	X	X	X	X	X
28-18	7221-5000	Front wheel axle	X	X	X	X	X	X	X	X	X	X
	(EA1-71181)											
28-19	7226-3110	Axle collar	X	X	X	X	X	X	X	X	X	X
	(GA3-71182)											
28-20	7166-5000	Front torque link	X	X	X	X	X	X	X	X	X	
	(EA1-71191)											
28-21	7167-5000	Torque link bolt	X	X	X	X	X	X	X	X	X	
	(EA1-71192)											
28-22	09525-102	8 MM cap nut	X	X	X	X	X	X	X	X	X	X
28-23	7241-5000	Wheel rim	X	X	X	X	X	X	X	X	X	
	(EA1-71200)											
	7241-5020	Wheel rim										X
28-24	7108-5000	Front spoke set	X	X	X	X	X	X	X	X	X	
	(EA1-71300)											
	7308-5600	Spoke set										X
28-25	-	Front tire 250-17-F.S.	X			X	X			X	X	
	-	Tire 250-17-T.R.		X			X					
	-	Tire 250-17-HK			X			X				
	-	Tire 300-17-FS										X
28-26	-	Tube 250 x 17	X	X	X	X	X	X	X	X	X	
	-	Tube 300 x 17										X
28-27	7353-3000	Rim band	X	X	X	X	X	X	X	X	X	X
	(MO4193)											
28-28	7361-3003	Brake arm pin	X	X	X	X	X	X	X	X	X	X
	(MO4252)											
28-29	0211-0600	6 MM hex nut	X	X	X	X	X	X	X	X	X	X
28-30	0431-0820	8 MM lock washer	X	X	X	X	X	X	X	X	X	X
28-31	0431-0615	6 MM lock washer	X	X	X	X	X	X	X	X	X	X
28-32	7228-3110	Dust seal	X	X	X	X	X	X	X	X	X	X
	7191-5000	Speedo gear set	X	X	X	X	X	X	X	X	X	X

29) REAR WHEEL

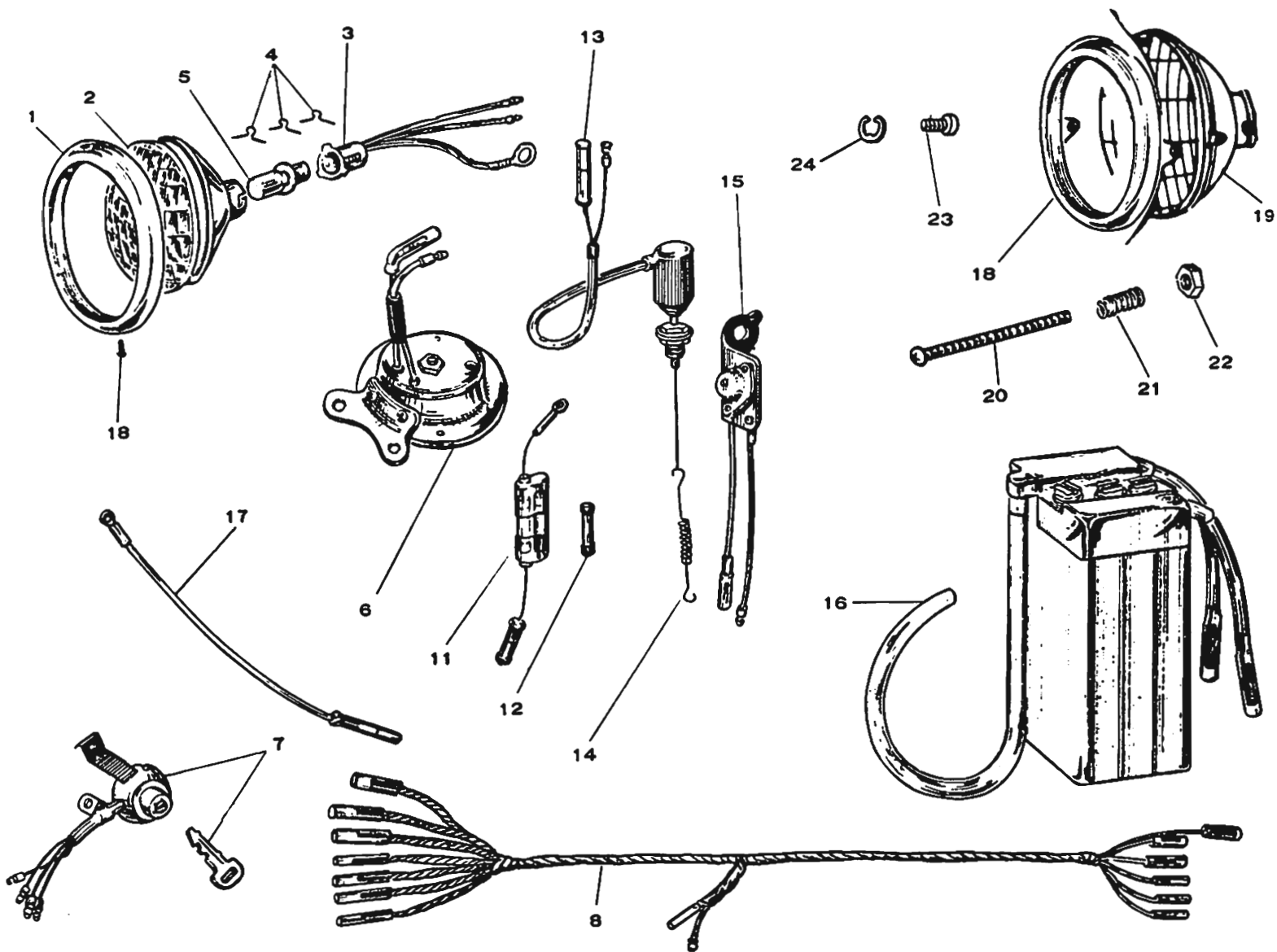


29) REAR WHEEL

INDEX NO.	PART NO.	DESCRIPTION	90cc Without Oil Injection				90cc With Oil Injection				100cc O/I	
			90 STD	90 TR	90 M	90 SP	90 D	90 TR	90 M	90 SP	100 SP	100 TR
29-0	7101-5000 (EA1-72020)	Rear wheel assembly	X	X	X	X	X	X	X	X	X	
29-1	7101-5600 7311-5001 (EA1-72110)	Rear wheel assembly Brake drum	X	X	X	X	X	X	X	X	X	X
29-2	7311-3111 7314-5000 (EA1-72114)	Brake drum Center pipe	X	X	X	X	X	X	X	X	X	
29-3	7314-3110 7115-3000 (MO4119)	Center pipe Support - center pipe	X	X	X	X	X	X	X	X	X	X
29-4	07-6201-03	Ball bearing	X	X	X	X	X	X	X	X	X	X
29-5	09590-106 (GA3-72117)	17-32-5 oil seal	X	X	X	X	X	X	X	X	X	X
29-6	EA1-71118	Snap ring	X	X	X	X						
29-7	09566-101 (GA3-72118)	40 O ring	X	X	X	X	X	X	X	X	X	X
29-8	7319-3111	Damper rubber	X	X	X	X	X	X	X	X	X	X
29-9	7371-3110 (GA3-72131)	Drive flange	X	X	X	X	X	X	X	X	X	
29-10	7371-3200 07-6203-03 (GA3-72132)	Drive flange Ball bearing	X	X	X	X	X	X	X	X	X	X
29-11	09590-107 (GA3-72133)	23-40-5 oil seal	X	X	X	X	X	X	X	X	X	X

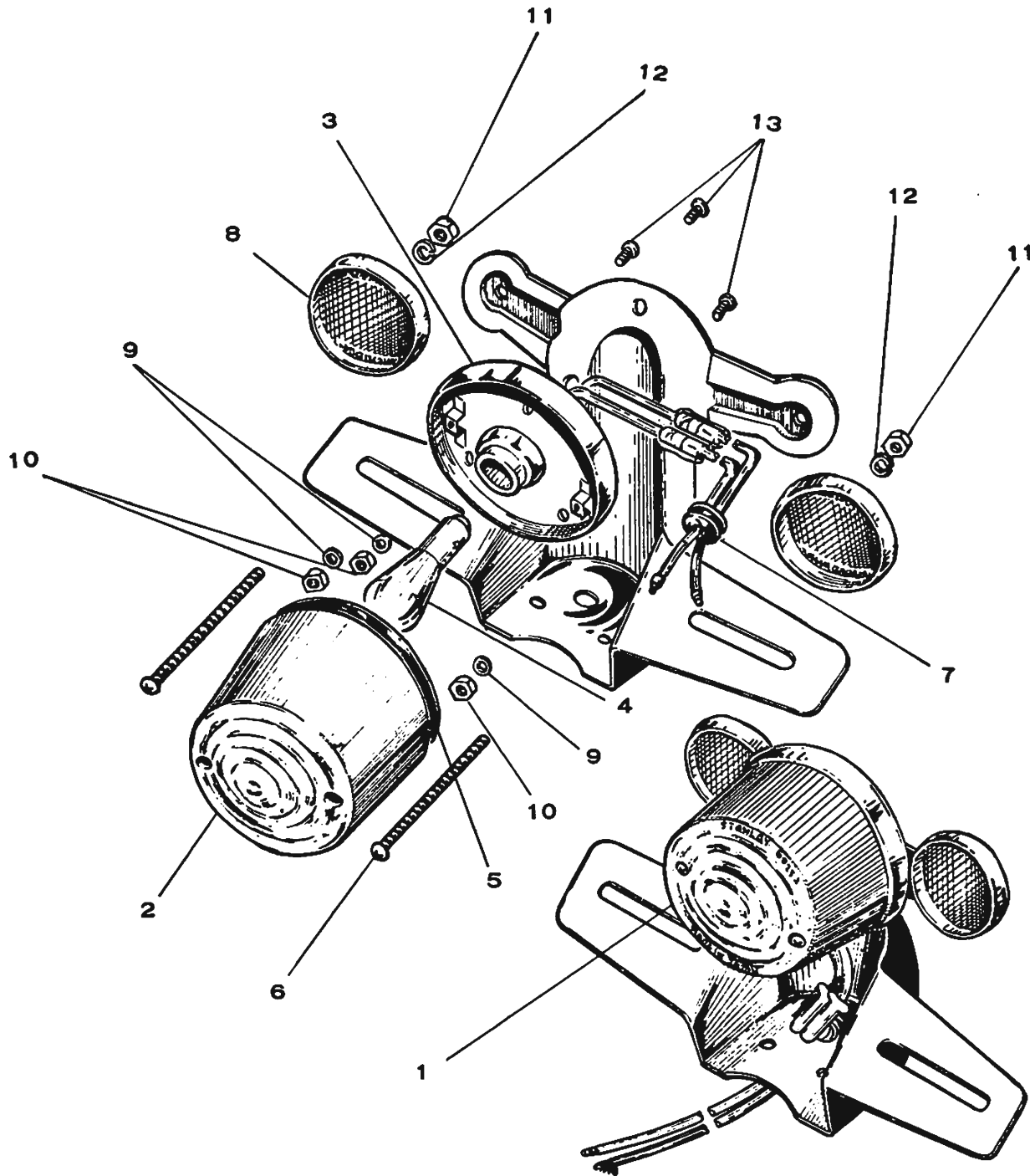
## 29) REAR WHEEL

INDEX NO.	PART NO.	DESCRIPTION	90cc Without Oil Injection				90cc With Oil Injection				100cc O/I	
			90 STD	90 TR	90 M	90 SP	90 D	90 TR	90 M	90 SP	100 SP	100 TR
29-12	09507-101 (GA3-72134)	40 Snap ring	X	X	X	X	X	X	X	X	X	X
29-13	7376-5001 (EA1-72141)	Drive flange collar	X	X	X	X	X	X	X	X	X	
29-14	7376-3111 7377-5000 (EA1-72142)	Drive flange collar Oil seal collar	X	X	X	X	X	X	X	X	X	X
29-15	7377-3110 4861-3110 (GA3-72143)	Oil seal collar R chain adjuster	X	X	X	X	X	X	X	X	X	X
29-16	7379-3111 (GA3-72144)	Flange collar nut	X	X	X	X	X	X	X	X	X	X
29-17	7381-5000 (EA1-72151)	Rear sprocket 34T	X			X	X			X	X	
29-18	09511-112 (GA3-72153)	8x33 MM hex bolt	X			X	X			X	X	
29-19	0431-0820	8 MM lock washer	X			X	X			X	X	
29-20	7331-5001 (EA1-72160)	Brake panel	X	X	X	X	X	X	X	X	X	
29-21	7331-3111 7134-3002 (MO4137)	Brake panel Grease nipple	X	X	X	X	X	X	X	X	X	X
29-22	7140-5000 (EA1-71150)	Brake shoe	X	X	X	X	X	X	X	X	X	
29-23	7140-3110 7145-3110 (GA3-71161)	Brake shoe Brake shoe spring	X	X	X	X	X	X	X	X	X	X
29-24	7351-3110 (GA3-72171)	Rear brake cam	X	X	X	X	X	X	X	X	X	X
29-25	7353-3004 (MO4251)	Brake lever	X	X	X	X	X	X	X	X	X	X
29-26	7152-3001 (MO4248)	Packing-brake lever	X	X	X	X	X	X	X	X	X	X
29-27	0121-0628	6x28 MM hex bolt	X	X	X	X	X	X	X	X	X	X
29-28	7361-3003 (MO4252)	Brake arm pin	X	X	X	X	X	X	X	X	X	X
29-29	7421-3110 (GA3-72181)	Rear axle	X	X	X	X	X	X	X	X	X	X
29-30	7426-3110 (GA3-72182)	Rear axle collar	X	X	X	X	X	X	X	X	X	X
29-31	4861-3002 (MO3181)	L chain adjuster	X	X	X	X	X	X	X	X	X	X
29-32	7366-5000 (EA1-72191)	Tension bar	X	X	X	X	X	X	X	X	X	X
29-33	7367-3001 (MO4259)	Bolt-tension bar	X	X	X	X	X	X	X	X	X	X
29-34	7241-5000 (EA1-71200)	Wheel rim	X	X	X	X	X	X	X	X	X	
29-35	7241-5020 7308-5000 (EA1-72300)	Wheel rim Rear spoke set	X	X	X	X	X	X	X	X	X	X
29-36	7308-5600 -	Rear spoke set Rear tire 250-17 RS	X			X	X			X	X	X
	-	Rear tire 250-17 TR		X			X					
	-	Rear tire 250-17 HK			X			X				
	-	Rear tire 300-17 RS										X
29-37	-	Tube 250-17	X	X	X	X	X	X	X	X	X	X
	-	Tube 300-17										X
29-38	7253-3000 (MO4193)	Rim band	X	X	X	X	X	X	X	X	X	X
29-37	7501-5000 (EA1-73000)	Roller chain	X	X	X	X	X	X	X	X	X	
	7501-5030	Roller chain										X
29-40	7520-5000 (EA1-73200)	Chain connector	X	X	X	X	X	X	X	X	X	X
29-41	7422-3110 (GA3-72184)	Axle nut	X	X	X	X	X	X	X	X	X	X
29-42	0231-0800	8 MM hex nut	X	X	X	X	X	X	X	X	X	X
29-43	0231-0600	6 MM hex nut	X	X	X	X	X	X	X	X	X	X
29-44	0411-0818	8 MM flat washer	X	X	X	X	X	X	X	X	X	X
29-45	0431-0820	8 MM lock washer	X	X	X	X	X	X	X	X	X	X
29-46	0431-0615	6 MM lock washer	X	X	X	X	X	X	X	X	X	X
29-47	7411-5010 (EA1-72151)	Sprocket-quick change 47 tooth	X				X					X
	7411-5020	Sprocket-quick change 64 tooth			X			X				
29-48	(EA13-72150) 7416-5010 (EA1-72151)	Sprocket 34 tooth		X	X			X	X			X
29-49	0123-0816	8 x 16 MM hex bolt		X	X			X	X			X
29-50	7502-5010 (EA1-73000)	Chain extension		X				X				X
	7502-5020 (EA13-73000)	Chain extension			X				X			



30) HEADLIGHT-MAIN SWITCH  
WIRE HARNESS-BATTERY

INDEX NO.	PART NO.	DESCRIPTION	90cc Without Oil Injection				90cc With Oil Injection				100cc O/I	
			90 STD	90 TR	90 M	90 SP	90 D	90 TR	90 M	90 SP	100 SP	100 TR
		<u>PARTS FOR PLASTIC HEAD COVER</u>										
30-0	8102-5000 (EA1-81200)	Headlight assembly	X	X	X	X						
30-1	8140-5000 (EA1-81210)	Headlight rim	X	X	X	X						
30-2	8150-5000 (EA1-81220)	Lens	X	X	X	X						
30-3	8160-5000 (EA1-82130)	Socket	X	X	X	X						
	8160-5020	Socket	X	X	X	X	X	X	X	X	X	X
30-4	8172-5000 (EA1-81241)	Lens holder	X	X	X	X						
30-5	8171-5000 (EA1-81242)	Bulb	X	X	X	X	X	X	X	X	X	X
30-6	8402-5000 (EA1-85110)	Horn assembly	X	X	X	X	X	X	X	X	X	
	8402-5600	Horn assembly										X
30-7	8601-5000 (EA1-86100)	Main switch	X	X	X	X						
	8601-5020	Main switch					X	X	X	X	X	
	8601-5600	Main switch										X
30-8	8810-5010 (EAE-88110)	Wire harness	X	X	X	X	X	X	X	X	X	
	8810-5600	Wire harness										X
30-9	8802-5000 (EA1-88300)	Fuse assembly	X	X	X	X	X	X	X	X	X	X
30-10	8861-3000 (MO6811)	Fuse	X	X	X	X	X	X	X	X	X	X
30-11	8650-5000 (EA1-89100)	Stop switch	X	X	X	X	X	X	X	X	X	X
30-12	8661-5000 (EA1-89121)	Spring stop switch	X	X	X	X						
	8661-5001	Spring-stop switch					X	X	X	X	X	
	8661-5600	Spring-stop switch										X
30-13	8702-5000 (EA1-89510)	Rectifier	X	X	X	X	X	X	X	X	X	X
30-14	8701-5010	Battery	X	X	X	X	X	X	X	X	X	X
30-15	8834-5000 (EA1-81311)	Earth wire	X	X	X	X	X	X	X	X	X	X
30-16	0342-0510	5x10 MM rim screw	X	X	X	X	X	X	X	X	X	X
		<u>PARTS FOR METAL HEAD COVER</u>										
30-17	8102-5020	Headlight assembly	X	X	X	X	X	X	X	X	X	X
30-18	8140-5010 (EAE-81210)	Headlight rim	X	X	X	X	X	X	X	X	X	X
30-19	8150-5020 (EAE-81220)	Headlight lens	X	X	X	X	X	X	X	X	X	X
30-20	8176-8000	Adjusting screw	X	X	X	X	X	X	X	X	X	X
30-21	8174-8000	Spring adj screw	X	X	X	X	X	X	X	X	X	X
30-22	8175-8000	Nut adj screw	X	X	X	X	X	X	X	X	X	X
30-23	8177-8000	Pivot screw-lens	X	X	X	X	X	X	X	X	X	X
30-24	8173-8000	Clip-pivot screw	X	X	X	X	X	X	X	X	X	X



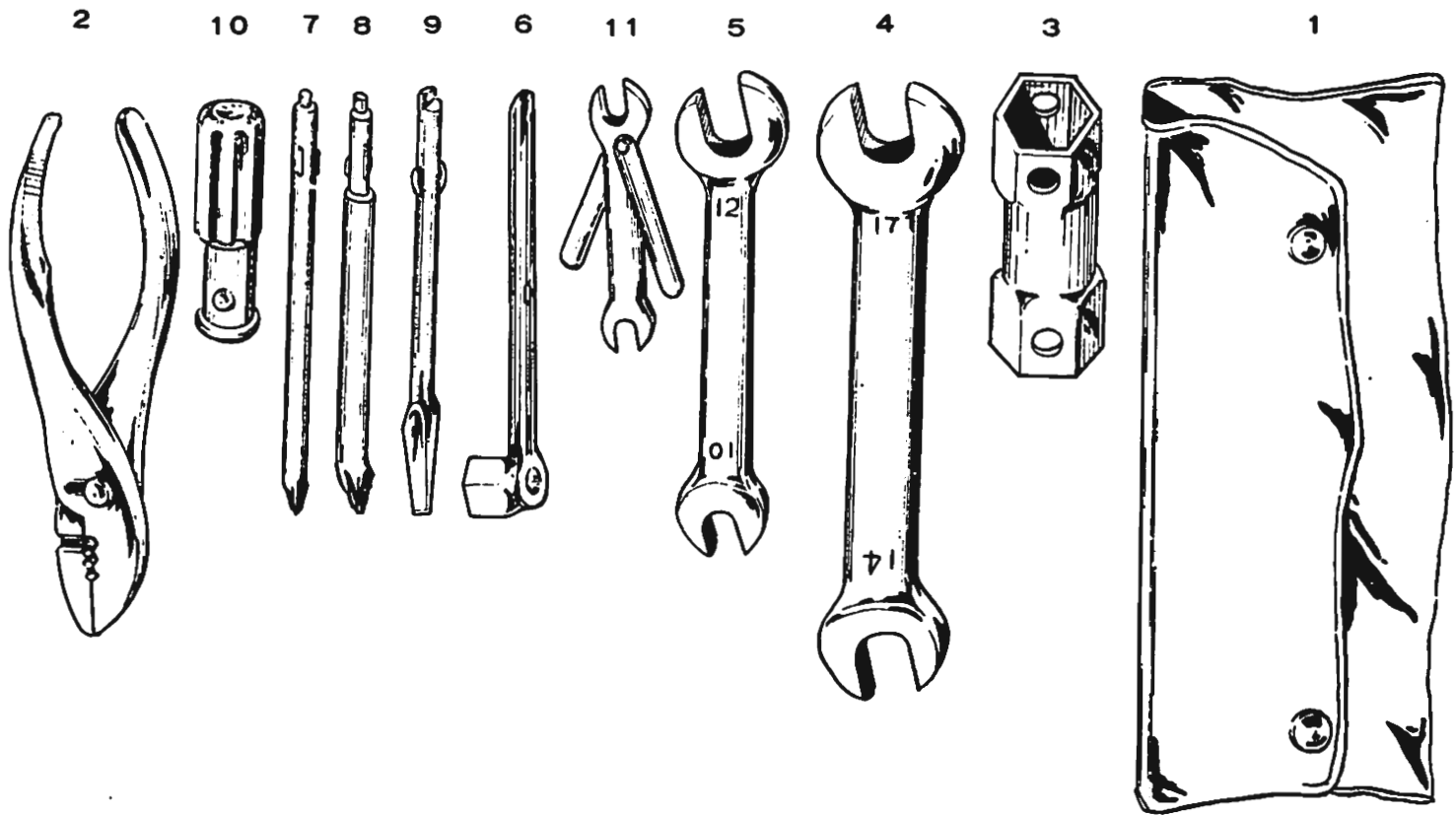
31) TAIL LIGHT

INDEX NO.	PART NO.	DESCRIPTION	90cc Without Oil Injection				90cc With Oil Injection				100cc O/I	
			90 STD	90 TR	90 M	90 SP	90 D	90 TR	90 M	90 SP	100 SP	100 TR
31-1	8205-5011	Tail light assembly	X	X	X		X	X	X	X	X	X
	8205-5021	Tail light assembly				X						
31-2	8251-3020	Lens (round type)	X	X	X	X						
	8251-8000	Lens (oblong type)	X	X	X	X	X	X	X	X	X	X
31-3	8240-5010	Socket assembly	X	X	X	X						
31-4	8252-3031	Tail lamp bulb	X	X	X	X	X	X	X	X	X	X
31-5	8253-3020	Tail lens packing (Round)	X	X	X	X						
	8253-8000	Tail lens packing (Oblong)	X	X	X	X	X	X	X	X	X	X
31-6	0341-0355	3 x 55 lens screw (Round type)	X	X	X	X						
	0372-0330	3x30 lens screw (Oblong type)	X	X	X	X	X	X	X	X	X	X
31-7	8256-3010	Grommet	X	X	X	X	X	X	X	X	X	X
31-8	8203-3010	Reflector-assembly	X	X	X	X						
31-9	0411-0410	4 MM flat washer	X	X	X	X	X	X	X	X	X	X
31-10	0211-0400	4 MM hex nut	X	X	X	X	X	X	X	X	X	X
31-11	0221-0500	5 MM hex nut	X	X	X	X	X	X	X	X	X	X
31-12	0431-0513	5 MM lock washer	X	X	X	X	X	X	X	X	X	X
31-13	0361-0410	4x10 MM screw	X	X	X	X	X	X	X	X	X	X
		<u>MOUNTING HARDWARE</u>										
	0111-0614	6x14 MM hex bolt	X	X	X	X	X	X	X	X	X	X
	0231-0600	6 MM hex nut	X	X	X	X	X	X	X	X	X	X
	0451-0600	6 MM lock washer	X	X	X	X	X	X	X	X	X	X
		<u>ACCESSORIES</u>										
	6531-5021	Sport carrier					X	X	X			
	6531-3220	Sport carrier	X	X	X							
	3443-3210	License plate support	X	X	X	X	X	X	X	X	X	X
	3452-3210	Rubber plug-support	X	X	X	X	X	X	X	X	X	X



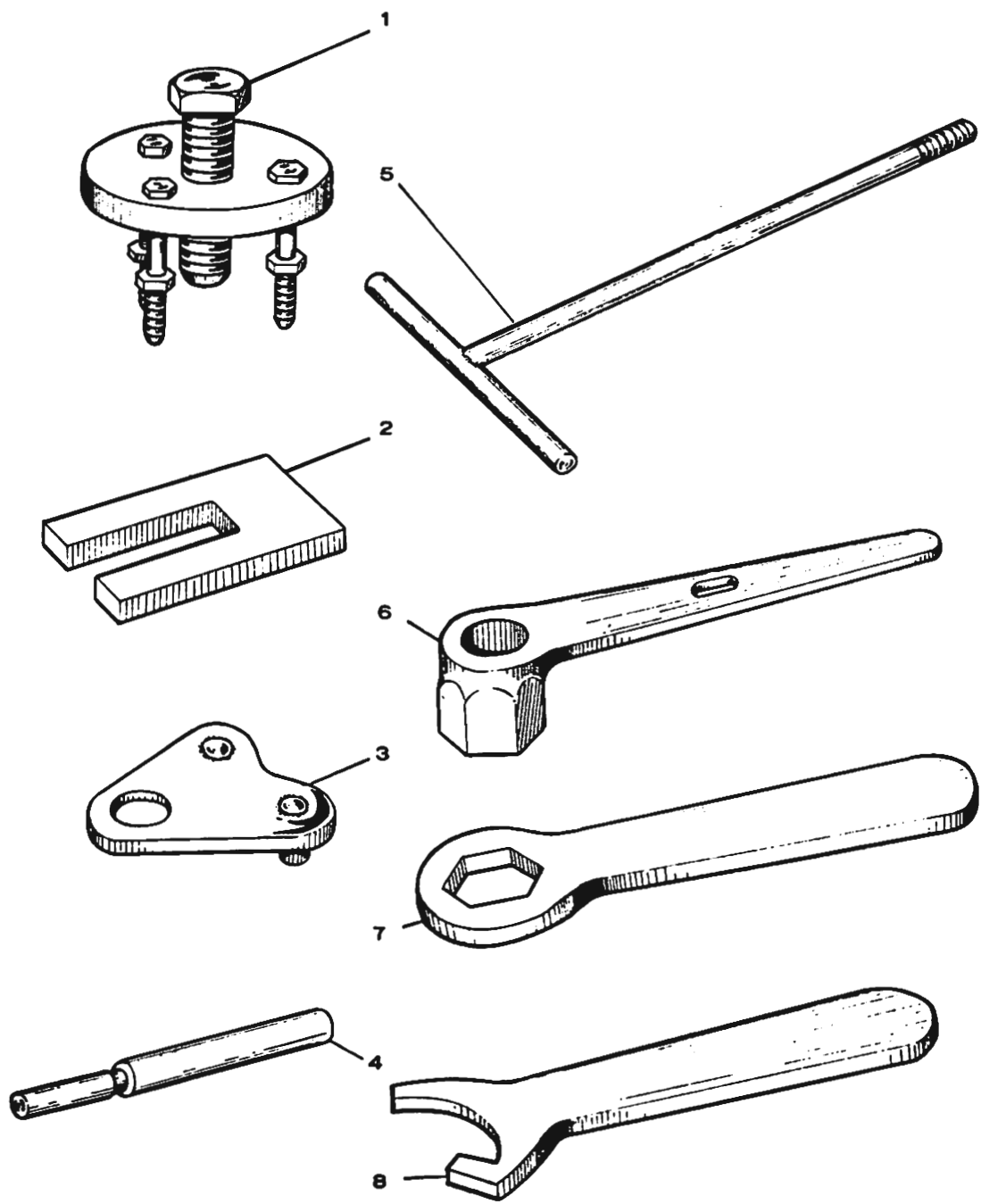
32) SERVICE TOOLS

INDEX NO.	PART NO.	DESCRIPTION	90cc Without Oil Injection				90cc With Oil Injection				100cc O/I	
			90 STD	90 TR	90 M	90 SP	90 D	90 TR	90 M	90 SP	100 SP	100 TR
32-0	9201-5000	Tool set	X	X	X	X	X	X	X	X	X	X
32-1	9211-5000	Tool bag	X	X	X	X	X	X	X	X	X	X
32-2	9225-5000	Pliers	X	X	X	X	X	X	X	X	X	X
32-3	9218-5000	Box spanner	X	X	X	X	X	X	X	X	X	X
32-4	9217-5000	14 x 17 open end wrench	X	X	X	X	X	X	X	X	X	X
32-5	9215-5000	10 x 12 open end wrench	X	X	X	X	X	X	X	X	X	X
32-6	9213-5000	10 MM box wrench	X	X	X	X	X	X	X	X	X	X
32-7	9226-5000	Small phillips drive	X	X	X	X	X	X	X	X	X	X
32-8	MO8716	Large phillips drive	X	X	X	X	X	X	X	X	X	X
32-9	9228-5000	Straight screw driver	X	X	X	X	X	X	X	X	X	X
32-10	9231-3000	Driver handle	X	X	X	X	X	X	X	X	X	X
32-11	9212-3001	8 x 9 open end wrench	X	X	X	X	X	X	X	X	X	X



33) SPECIAL TOOLS

INDEX NO.	PART NO.	DESCRIPTION	90cc Without Oil Injection				90cc With Oil Injection				100cc O/I	
			90 STD	90 TR	90 M	90 SP	90 D	90 TR	90 M	90 SP	100 SP	100 TR
33-0	9300-5010	Special tool set	X	X	X	X	X	X	X	X	X	X
33-1	9375-5000	Flywheel puller	X	X	X	X	X	X	X	X	X	X
33-2	EA1-99114	Piston seat	X	X	X	X	X	X	X	X	X	X
33-3	9374-5000	Sprocket stopper	X	X	X	X	X	X	X	X	X	X
33-4	9376-5010	Piston pin punch	X	X	X	X	X	X	X	X	X	X
33-5	EA1-99112	Front fork tool	X	X	X	X	X	X	X	X	X	X
33-6	9213-5000	10 MM box wrench	X	X	X	X	X	X	X	X	X	X
33-7	EA1-99111	35 MM wrench	X	X	X	X	X	X	X	X	X	X
33-8	9373-5000	Exhaust pipe tool	X	X	X	X	X	X	X	X	X	X
33-9	9211-5000	Tool bag	X	X	X	X	X	X	X	X	X	X



<u>PART NO.</u>	<u>DESCRIPTION</u>
1111-5410	Cylinder head
1121-5410	Cylinder
1141-5410	Cylinder head gasket
1301-5410	Crankshaft complete
1305-5400	Piston ring set
1341-5410	Piston
1381-5400	Piston pin
1412-8000	Rotary valve
1431-5040	Rotary valve cover
1600-5410	22 M/M carburetor
1690-5410	Main jet set 170-190-200
2161-5410	R crankcase cover
2175-5410	Carburetor cap adjuster
2176-5410	Carburetor cover
2177-5410	Carburetor cap
2185-5410	Carburetor cover gasket
2189-5410	Carburetor cap gasket
2484-5010	Drive sprocket 12T
2484-5410	Drive sprocket 13T
2484-5000	Drive sprocket 14T
2484-5400	Drive sprocket 15T
3353-3001	Battery band
3726-5410	L footrest spring
3727-5410	R footrest spring
3810-5410	Brake pedal complete
3823-5410	Brake pedal rubber
4161-5010	Upper bridge
4162-5010	Handlebar holder
4410-5010 MS	Front fender
4423-5010	Fender stay A
4424-5010	Fender stay B
4810-5410 CBK	Rear fork
6176-5030	Throttle cable
6181-5020	Front brake cable
6186-5410	Clutch cable
6211-5020	Cleaner element
6232-5010	Cover element
6233-5010	Cleaner case cover
6310-5410	Tuned muffler
6430-5020	Racer seat
7108-5020	Spoke set F & R
7241-5020	Wheel rim F & R
7381-5040	Rear sprocket 38-40-42-44-46-48 tooth
8501-3000	Ignition coil
EA22-31433	Coil bracket
EA22-86100	Ignition switch
EA22-31434	Switch bracket
EA22-31121	Battery case

STANDARD PRODUCTION PARTS

<u>PART NO.</u>	<u>DESCRIPTION</u>
3650-5000	Side stand
4511-8000	Handle bar
5110-3200-CUR	Fuel tank
6125-8000	Left lever holder
6122-8000	Clutch lever
6123-5010	Left grip rubber
6126-8000	Cable adjuster
6127-8000	Adjuster lock nut
6107-8030	Right case throttle
6151-8010	Right case cover
6154-8000	Throttle pipe
6153-5010	Right grip rubber
6149-8000	Right lever holder
6152-8000	Front brake lever
8701-3002	Battery 12 volt Tire front and rear 300 x 175

BRIDGESTONE 90-100 SERIES

	<u>COLOR</u>	<u>MUFFLER</u>	<u>ENGINE NUMBER</u>
90 Standard	Black	Down	12
90 Trail	Blue	Down	12
90 Mountain	Blue	Up-right	12
90 Sport	Black	Down	14
90 Deluxe OI	Black	Down	17
90 Trail OI	Blue	Down	17
90 Mountain OI	Blue	Up-left	17
90 Sport OI	Red	Down	18
100 Sport OI	Red	Down	20
100 Trail OI Pipe Frame	Blue	Up-left	20
90 SS Same as 90 Standard except 90 Mountain up-muffler and 90 Sport front fender	Black	Up-left	12